

**Crompton**

# Introducing Built-in Kitchen Appliances



Crompton Greaves Consumer Electricals  
Limited Equinox Business Park, 1st Floor,  
Tower 3, LBS Marg, Kurla (W), Mumbai  
400070, Maharashtra, India.

Call : 1800 419 0505

Email: [consumer.support@crompton.co.in](mailto:consumer.support@crompton.co.in)

Crompton reserves the right to change the specifications without notice in the interest of technological progress. While every effort has been made to ensure that all specifications and descriptions are correct at the time of going to press, this catalogue should not be regarded as an infallible guide for a particular product. Due to variations in the reproduction process, the colours of products may vary slightly from those depicted. We recommend visiting a Crompton brand store to confirm that specifications and colours are to your satisfaction. All rights reserved. No part of this publication may be reproduced in any form by any means without the permission of Crompton Greaves Consumer Electricals Limited.



## Crompton At A Glance

Crompton is one of India's leading consumer companies with a 75-year brand legacy. The brand "Crompton" has a rich history of being associated with high quality, reliability, superior engineering capability, and product design, as well as a high level of trust. Crompton has one of the most extensive distribution networks.

## Brand Leadership

Crompton is a market leader in fans, domestic pumps, water heaters, lighting and an emerging player in other categories including appliances. Crompton has introduced numerous ground-breaking products in recent years, including India's first anti-dust fan and anti-bacterial bulbs. Crompton strives to improve people's lives through innovative and sustainable technologies.

## Innovation

Crompton has a rich legacy of prioritizing innovation as the foundation of its ecosystem. Our new R&D centre, spread across 50,000 square feet has state-of-the-art equipment, smart testing technologies and advanced IoT, energy efficiency capabilities fuel the product development bring to life cutting-edge products.

## Brand Footprint



## Awards & Recognition



Brand Of The Decade 2021 In Consumer Durables Category By Herald Global And Barc 2021



Silent Pro Enso Ceiling Fan was the winner at the prestigious IF DESIGN AWARDS



Crompton's Anti-Bac LED Bulb is INDIA'S FIRST LAMP that has an antimicrobial effect and protects against bacteria, mould and fungi present in the atmosphere



Crompton featured in under LEADERSHIP category of S&P BSE 100 (BSE 100) Companies evaluated on Indian Corporate Governance Scorecard by LIAS

\*to name a few

# Kitchens, as they should be!



## Chimneys with Silent Inverter Motor

Designed to deliver ultra-low noise performance (up to 10dB lower than conventional chimneys), Crompton chimneys have a powerful inverter motor at the heart of it.

## Hobs with full brass burners

Our hobs are fitted with full brass burners making them suitable for versatile cooking. The innovatively designed digital timer hobs allow you to switch off the hob at pre-set time.

## Dishwasher with PureBeam+ Technology

Keep all your utensils 99.99%\* bacteria-free and odour-free after every wash with our PureBeam+ technology. High-grade stainless steel in our tub is rust and corrosion free that makes Crompton dishwasher perfect companion for Indian utensils.

## Ovens with steam assisted cooking Technology






Steam assisted cooking and 3D heating features of our ovens deliver perfect baking results. What's more, the pyrolytic and steam cleaning features take away the hassle of cleaning the oven.

## Microwaves and warmer drawer with full black tempered design

Our microwaves and warmer drawer comes with full black tempered glass design, 8 Auto menus and soft touch control. Accessories like baking pan, grill pan, and grill rack are an extra delight.

\*As per test conducted by German Institute of VDE

# Explore our range of kitchen appliances

-  Chimney..... 10
-  Hobs..... 34
-  Dishwasher..... 52
-  Built-in Oven..... 64
-  Built-in Microwave..... 70



## Chimneys

### Chimneys that work like they should. Silently.

Our silent chimneys are powered with advanced inverter motor that offers high suction at reduced noise level. Intelligent in-built sensors enable our chimney to automatically clean themselves periodically providing hassle-free operation and make your kitchen a comfortable place while you enjoy the cooking.





## Crompton's Key Innovations



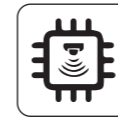
### Silent Inverter Motors:

Designed and manufactured with the trust of Crompton engineering, our inverter motors with copper winding operate at surprisingly low noise levels (up to 10dB lower perceivable noise compared to conventional chimneys), offering 9 speed levels with a maximum suction capacity of up to 2000 m<sup>3</sup>/hr\*. Make your kitchen a comfortable and pleasurable place to enjoy, as it should be!



### Intelli AutoClean:

Crompton's intelligent AutoClean system automatically turns on the Auto Clean Mode after 30 hours of chimney operation. The high-temperature heating element melts the oil and grime which flows down in an oil tray; all you have to do is empty and clean the tray. So, relax and enjoy the cooking while we take care of the cleaning.



### SmartON:

Crompton's innovative chimneys also include the exclusive SmartON feature. This function has advanced sensors that detect a temperature change once you begin cooking and switch ON the chimney. Even if you forget to turn ON your chimney, you'll have a smoke-free and worry-free cooking experience.



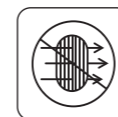
### Elegant style:

With the trust of Crompton Engineering accompanied with superior build quality, our chimneys are a sight to behold and a delight to operate. The premium design and minimalistic appearance complement urban Indian kitchen designs. The LED lights in the chimney prevent the chimney from overheating. A large touch panel and an easy-to-use user interface have been built for your convenience.



### Gesture Control:

Crompton's specially designed Gesture Control Function senses hand gestures and uses intelligent motion sensors to activate/deactivate specific functions on your chimney, offering you to experience touch-free operation.



### Filterless Technology:

Say no to tedious scrubbing and cleaning of filters. Our modern chimneys incorporate Filterless technology\*. Oil and grease released during cooking is gathered in a tray that can be cleaned on a regular basis depending on usage, making chimney maintenance and cleaning a simple and easy process.

\*Features may vary from model to model

## Suction mode:

Crompton chimneys come with different levels of suction modes.



### Turbo Suction

Models with Turbo suction offer maximum extraction capacity of up to 2000 m<sup>3</sup>/hr\* at highest fan speed to quickly eliminate odours and smoke. This keeps cooking-induced odours at bay in your kitchen.



### Booster Suction

Enabling Booster suction mode revs up speed of blower fan to maximum speed delivering increased suction capacity of up to 1700m<sup>3</sup>/hr\*, allowing you to remove smoke from your kitchens more effectively and quickly.



### Rapid Suction

Models with Rapid suction offer suction capacity up to 1600 m<sup>3</sup>/hr\*, extracting smoke and oil fumes quickly, so you can enjoy cooking without worrying about your health.



\*Suction capacity will vary from model to model. Features and specifications are subject to change without prior notice. Mentioned Suction level in Cubic meter hour (CMH) or m<sup>3</sup>/hr is measured at the highest operating fan speed on the inlet side of the cooker hood/chimneys. Above specifications are measured under standard lab conditions and have tolerance of +/- 10%. Also, these values may vary as per product usage.



## GrandArt

Make your kitchen grander with our GrandArt chimneys, which are tastefully crafted to add a touch of beauty to your kitchen. Powered by silent inverter motor, our chimneys feature a large user-friendly touch panel and intuitive features like intelligent Auto Clean and gesture control - you can have complete control over your chimney and an enjoyable cooking experience.



### GrandArt Series

Model: CHD-GAL90BFE-INX  
Grand Art Island90 Baff Inox

₹ 68,990

Features: Thermal Auto Clean, High suction speed, touch control, 3 Speed



Size: 90 cm  
Max Suction\*: 1350 m3/hr  
Motor: Copper Induction  
Filter Type: Baffle  
Min Noise Level\*\* - 49 dB  
Net Dimensions: W x D x H (mm): 895 X 603 X 658  
Warranty: 2 yr On Product, 10 yrs on Motor

Model: CHD-GAVB90FLE-MBL  
GrandArt Inv Box90 Fitless MBlk

₹ 60,790

Features: Silent Inverter Motor, Intelli Auto Clean, Turbo suction, Large touch display, Gesture Control, 9 Speed

Size: 90 cm  
Max Suction\*: 1890 m3/hr  
Motor: Copper BLDC  
Filter Type: Filterless  
Min Noise Level\*\* - 40 dB  
Net Dimensions: W x D x H (mm): 896 x 450 x 650  
Warranty: 2 yr On Product, 10 yrs on Motor



Model: CHD-GAVI90FLE-MBL  
GrandArt Inv Incl90 Fitless MBlk

₹ 58,890

Features: Silent Inverter Motor, IntelliAuto Clean, Turbo Suction, Large touch display, Gesture Control, 9 Speed

Size: 90 cm  
Max Suction\*: 2040 m3/hr  
Motor: Copper BLDC  
Filter Type: Filterless  
Min Noise Level\*\* - 44 dB  
Net Dimensions: W x D x H (mm): 898 x 425 x 920  
Warranty: 2 yr On Product, 10 yrs on Motor



Features may vary from model to model. Features and specifications are subject to change without prior notice.

\* - Mentioned Suction level in Cubic meter hour (CMH) or m3/hr is measured at the highest operating fan speed on the inlet side of the cooker hood/chimneys

\*\* - Mentioned Noise level is the lowest sound pressure level measured in dB(A) for the lowest operating speed of the cooker hood/chimneys.

\*\*\* - Mentioned Noise level is the lowest sound pressure level measured in dB(A) for the lowest operating speed of the cooker hood/chimneys.

Above specifications are measured under standard lab conditions and have tolerance of +/- 10%. Also, these values may vary as per product usage.

## QuietPro

Meet our all-rounder, which offers a powerful performance with a stylish appearance. The QuietPro chimneys from Crompton feature silent inverter motor that delivers our signature low noise performance along with a lot of other features like filterless technology, gesture control, booster suction, and much more.



### QuietPro Series

Model: CHD-QPVI90FLE-MBL  
QuietPro Inv Incl90 Fitless MBik

₹ 42,790

Features: Silent Inverter Motor, Intelli Auto Clean, Booster suction mode, Large touch display, Gesture Control, 9 Speed

Size: 90 cm  
Max Suction\*: 1710 m3/hr  
Motor: Copper BLDC  
Filter Type: Filterless  
Min Noise Level\*\* - 55 dB  
Net Dimensions: W x D x H (mm): 890 x 390 x 832  
Warranty: 1yr On Product  
10yrs on Motor



Model: CHD-QPVI75FLE-MBL  
QuietPro Inv Incl75 Fitless MBik

₹ 40,690

Features: Silent Inverter Motor, Intelli Auto Clean, Booster suction mode, Large touch display, Gesture Control, 9 Speed

Size: 75 cm  
Max Suction\*: 1660 m3/hr  
Motor: Copper BLDC  
Filter Type: Filterless  
Min Noise Level\*\* - 51 dB  
Net Dimensions: W x D x H (mm): 750 x 390 x 840  
Warranty: 1yr On Product,  
10yrs on Motor



Model: CHD-QPVI60FLE-MBL  
QuietPro Inv Incl60 Fitless MBik

₹ 38,590

Features: Silent Inverter Motor, Intelli Auto Clean, Booster suction mode, Large touch display, Gesture Control, 9 Speed

Size : 60cm  
Max Suction\* : 1780 m3/hr  
Motor Type : Copper BLDC  
Filter Type : Filterless  
Min Noise Level\*\* - 54 dB  
Net Dimensions: W x D x H (mm) : 600 x 390 x 845  
Warranty : 1yr On Product,  
10yrs on Motor



Features may vary from model to model. Features and specifications are subject to change without prior notice.

\* - Mentioned Suction level in Cubic meter hour (CMH) or m3/hr is measured at the highest operating fan speed on the inlet side of the cooker hood/chimneys

\*\* - Mentioned Noise level is the lowest sound pressure level measured in dB(A) for the lowest operating speed of the cooker hood/chimneys.

\*\*\* - Mentioned Noise level is the lowest sound pressure level measured in dB(A) for the lowest operating speed of the cooker hood/chimneys. Above specifications are measured under standard lab conditions and have tolerance of +/- 10%. Also, these values may vary as per product usage.

## QuietPro Series



Model: CHD-QPVB90FLE-MBL  
Quiet Pro Inv Box90 Fitless MBlk  
₹ 40,790

Features: Silent Inverter Motor, Intelli Auto Clean, Booster suction mode, Large touch display, Gesture Control, 9 Speed

Size: 90 cm  
Max Suction\*: 1430 m3/hr  
Motor: Copper BLDC  
Filter Type: Filterless  
Min Noise Level\*\* - 48 dB  
Net Dimensions: W x D x H (mm): 900 x 515 x 568  
Warranty: 1yr On Product, 10yrs on Motor

Model: CHD-QPVB75FLE-MBL  
QuietPro Inv Box75 Fitless MBlk  
₹ 38,690

Features: Silent Inverter Motor, Intelli Auto Clean, Booster suction mode, Large touch display, Gesture Control, 9 Speed

Size: 75 cm  
Max Suction\*: 1390 m3/hr  
Motor: Copper BLDC  
Filter Type: Filterless  
Min Noise Level\*\* - 48 dB  
Net Dimensions: W x D x H (mm): 750 x 512 x 575  
Warranty: 1yr On Product, 10yrs on Motor



Model: CHD-QPVB60FLE-MBL  
QuietPro Inv Box60 Fitless MBlk  
₹ 36,490

Features: Silent Inverter Motor, Intelli Auto Clean, Booster suction mode, Large touch display, Gesture Control, 9 Speed

Size: 60 cm  
Max Suction\*: 1450 m3/hr  
Motor: Copper BLDC  
Filter Type: Filterless  
Min Noise Level\*\* - 48 dB  
Net Dimensions: W x D x H (mm): 600 x 460 x 573  
Warranty: 1yr On Product, 10yrs on Motor



## QuietPro Series



Model: CHD-QPVC90FLE-MBL  
QuietPro Inv Curv90 Fitless MBlk  
₹ 34,490

Features: Silent Inverter Motor, Intelli Auto Clean, Booster suction mode, Large touch display, Gesture Control, 9 Speed

Size: 90 cm  
Max Suction\*: 1420 m3/hr  
Motor: Copper BLDC  
Filter Type: Filterless  
Min Noise Level\*\* - 48 dB  
Net Dimensions: W x D x H (mm): 875 x 505 x 570  
Warranty: 1yr On Product, 10yrs on Motor



## SensoSmart

Introducing Crompton's one-of-a-kind SensoSmart chimney with SmartON. This chimney has advanced sensors that detect a temperature change once you begin cooking and quickly switch ON the chimney. Even if you forget to turn ON your chimney, you will have a smoke-free and worry-free experience.



## SensoSmart Series



Model: **CHD-SSI90FLE-MBL**  
**SensoSmart Incl90 Fitless MBK**

**₹ 40,590**

Features: Smart On, Intelli Auto Clean, Rapid suction, Gesture Control, 3 Speed

Size: 90 cm  
 Max Suction\*: 1530 m3/hr  
 Motor: Copper Induction  
 Filter Type: Filterless  
 Min Noise Level\*\* - 57 dB  
 Net Dimensions: W x D x H (mm): 897 x 340 x 855  
 Warranty: 1yr On Product, 5yrs on Motor

Model: **CHD-SSI60FLE-MBL**  
**SensoSmart Incl60 Fitless MBK**

**₹ 37,590**

Features: Smart On, Intelli Auto Clean, Rapid suction, Gesture Control, 3 Speed

Size: 60 cm  
 Max Suction\*: 1290 m3/hr  
 Motor: Copper Induction  
 Filter Type: Filterless  
 Min Noise Level\*\* - 57 dB  
 Net Dimensions: W x D x H (mm): 597 x 340 x 830  
 Warranty: 1yr On Product, 5yrs on Motor



Model: **CHD-SSB60BFE-MBL**  
**SensoSmart Box60 Baff MBK**

**₹ 33,690**

Features: Smart On, Intelli Auto Clean, Rapid suction, Gesture Control, 3 Speed

Size: 60 cm  
 Max Suction\*: 1620 m3/hr  
 Motor: Copper Induction  
 Filter Type: Baffle  
 Min Noise Level\*\* - 54 dB  
 Net Dimensions: W x D x H (mm): 600 x 426 x 623  
 Warranty: 1yr On Product, 5yrs on Motor



Features may vary from model to model. Features and specifications are subject to change without prior notice.

\* - Mentioned Suction level in Cubic meter hour (CMH) or m3/hr is measured at the highest operating fan speed on the inlet side of the cooker hood/chimneys

\*\* - Mentioned Noise level is the lowest sound pressure level measured in dB(A) for the lowest operating speed of the cooker hood/chimneys.

\*\*\* - Mentioned Noise level is the lowest sound pressure level measured in dB(A) for the lowest operating speed of the cooker hood/chimneys. Above specifications are measured under standard lab conditions and have tolerance of +/- 10%. Also, these values may vary as per product usage.

## SensoSmart Series

---



Model: CHD-SSC90FLE-MBL  
SensoSmart Curv90 Fitless MBik

₹ 34,590

Features: Smart On, Intelli Auto Clean,  
Rapid suction, Gesture Control, 3 Speed

Size: 90 cm  
Max Suction\*: 1360 m3/hr  
Motor: Copper Induction  
Filter Type: Filterless  
Min Noise Level\*\* - 53 dB  
Net Dimensions: W x D x H (mm): 865 x 456 x 550  
Warranty: 1yr On Product,  
5yrs on Motor

---

Model: CHD-SSC60FLE-MBL  
SensoSmart Curv60 Fitless MBik

₹ 31,790

Features: Smart On, Intelli Auto Clean,  
Rapid suction, Gesture Control, 3 Speed

Size: 60 cm  
Max Suction\*: 1210 m3/hr  
Motor: Copper Induction  
Filter Type: Filterless  
Min Noise Level\*\* - 52 dB  
Net Dimensions: W x D x H (mm): 596 x 456 x 555  
Warranty: 1yr On Product,  
5yrs on Motor



---

Model: CHD-SSC60BFE-MBL  
SensoSmart Curv60 Baff MBik

₹ 27,290

Features: Smart On, Intelli Auto Clean,  
Rapid suction, Gesture Control, 3 Speed

Size: 60 cm  
Max Suction\*: 1260 m3/hr  
Motor: Copper Induction  
Filter Type: Baffle  
Min Noise Level\*\* - 54 dB  
Net Dimensions: W x D x H (mm): 596 x 456 x 548  
Warranty: 1yr On Product,  
5yrs on Motor



## IntelliMotion

When you wave your hand, IntelliMotion lends you a hand. Hand movements are detected by intelligent motion sensors that can activate or deactivate certain functions on your chimney, allowing you to enjoy touch-free operation.



Features may vary from model to model.

Features and specifications are subject to change without prior notice.

\* - Mentioned Suction level in Cubic meter hour (CMH) or m<sup>3</sup>/hr is measured at the highest operating fan speed on the inlet side of the cooker hood/chimneys

\*\* - Mentioned Noise level is the lowest sound pressure level measured in dB(A) for the lowest operating speed of the cooker hood/chimneys.

\*\*\* - Mentioned Noise level is the lowest sound pressure level measured in dB(A) for the lowest operating speed of the cooker hood/chimneys.

Above specifications are measured under standard lab conditions and have tolerance of +/- 10%. Also, these values may vary as per product usage.

## IntelliMotion Series

Model: CHD-IMC90BFA-MBL  
IntelliMotion Curv90 Baff MBlk

₹ 27,290

Features: Thermal Auto Clean,  
Gesture Control, Rapid Suction, 3 Speed

Size: 90 cm  
Max Suction\*: 990 m<sup>3</sup>/hr  
Motor: Copper Induction  
Filter Type: Baffle  
Min Noise Level\*\* - 53 dB  
Net Dimensions: W x D x H (mm): 868 x 426 x 479  
Warranty: 1yr On Product,  
5yrs on Motor



Model: CHD-IMC60BFA-MBL  
IntelliMotion Curv60 Baff MBlk

₹ 24,190

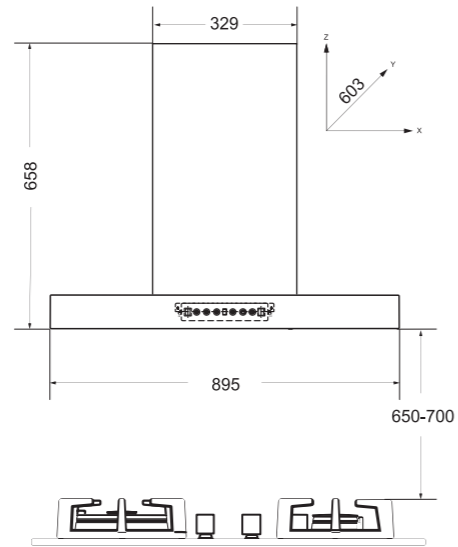
Features: Thermal Auto Clean,  
Gesture Control, Rapid Suction, 3 Speed

Size: 60 cm  
Max Suction\*: 990 m<sup>3</sup>/hr  
Motor: Copper Induction  
Filter Type: Baffle  
Min Noise Level\*\* - 53 dB  
Net Dimensions: W x D x H (mm): 595 x 426 x 479  
Warranty: 1yr On Product,  
5yrs on Motor

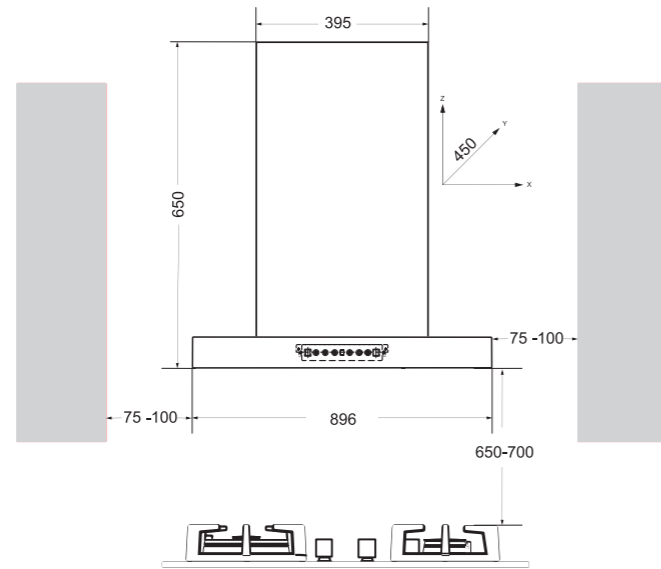


## Installation guide

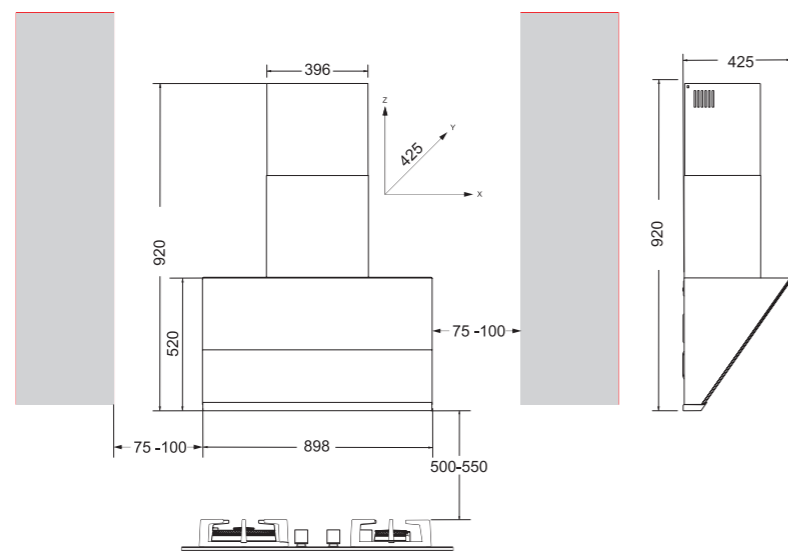
**CHD-GAL90BFE-INX**  
GrandArt



**CHD-GAVB90FLE-MBL**  
GrandArt



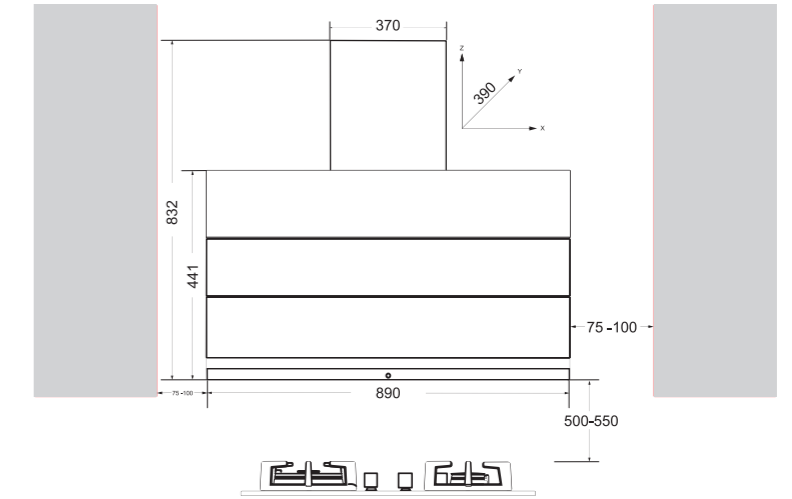
**CHD-GAVI90FLE-MBL**  
GrandArt



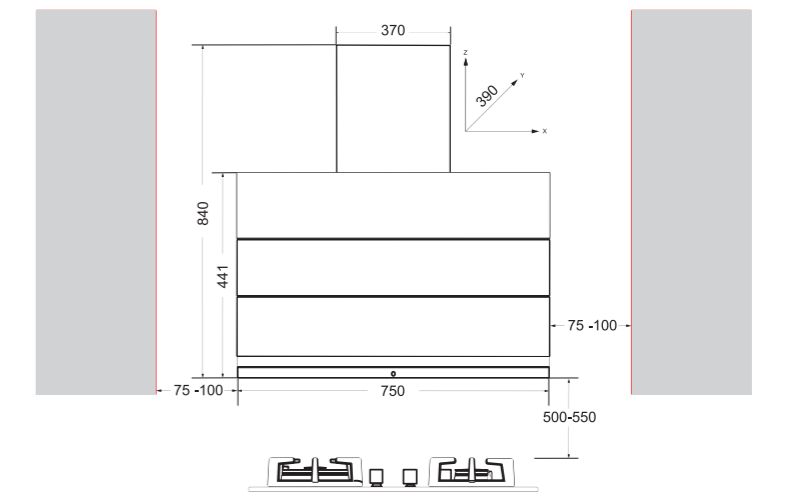
Specifications are measured under standard lab conditions and have tolerance of +/-10mm.  
All dimensions are in mm

## Installation guide

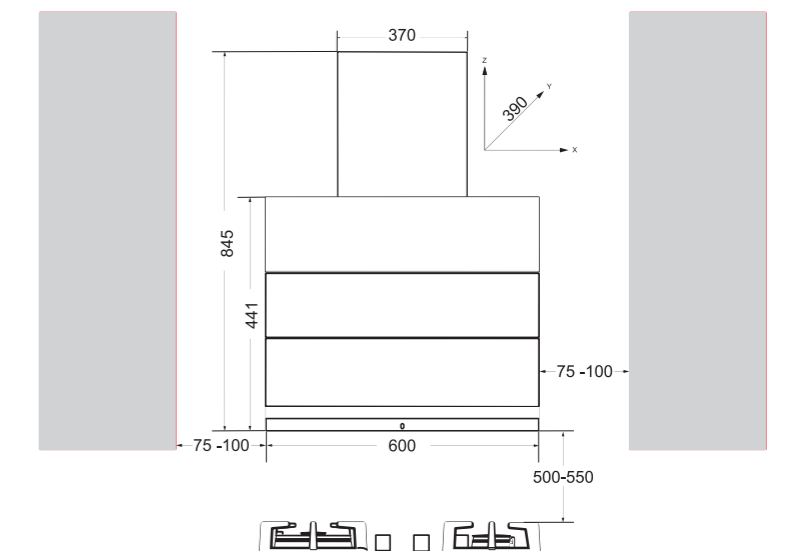
**CHD-QPVI90FLE-MBL**  
QuietPro



**CHD-QPVI75FLE-MBL**  
QuietPro



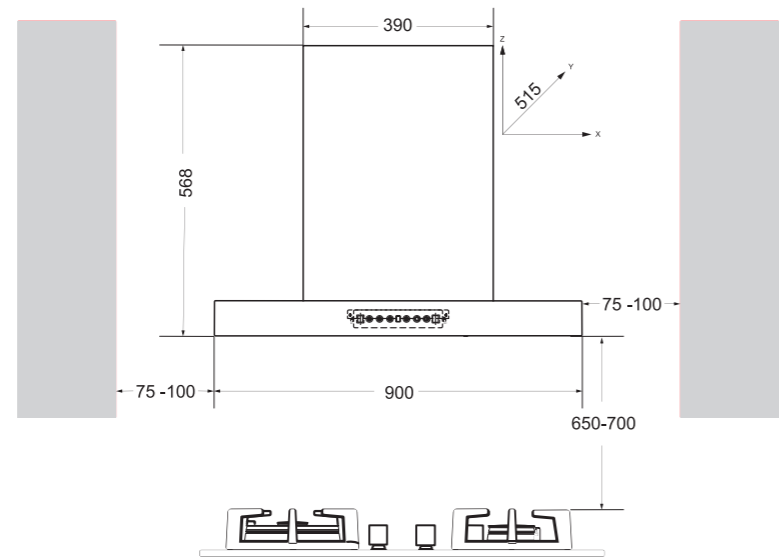
**CHD-QPVI60FLE-MBL**  
QuietPro



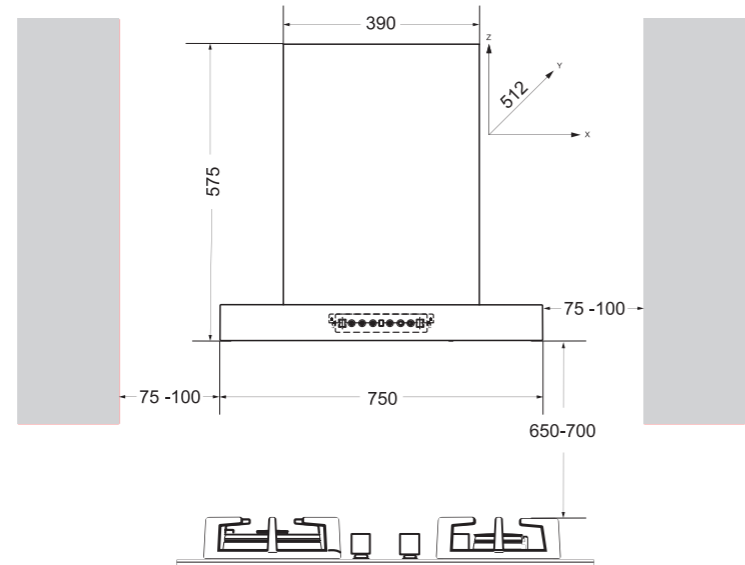
Specifications are measured under standard lab conditions and have tolerance of +/-10mm.  
All dimensions are in mm

## Installation guide

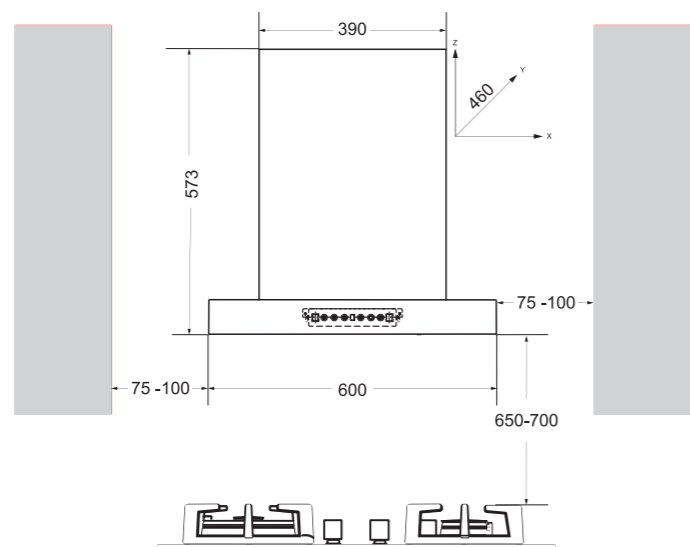
**CHD-QPVB90FLE-MBL**  
QuietPro



**CHD-QPVB75FLE-MBL**  
QuietPro



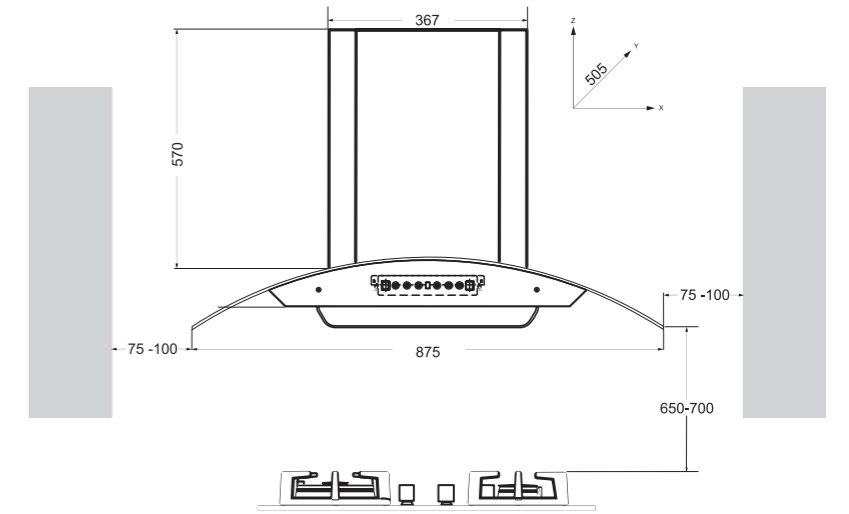
**CHD-QPVB60FLE-MBL**  
QuietPro



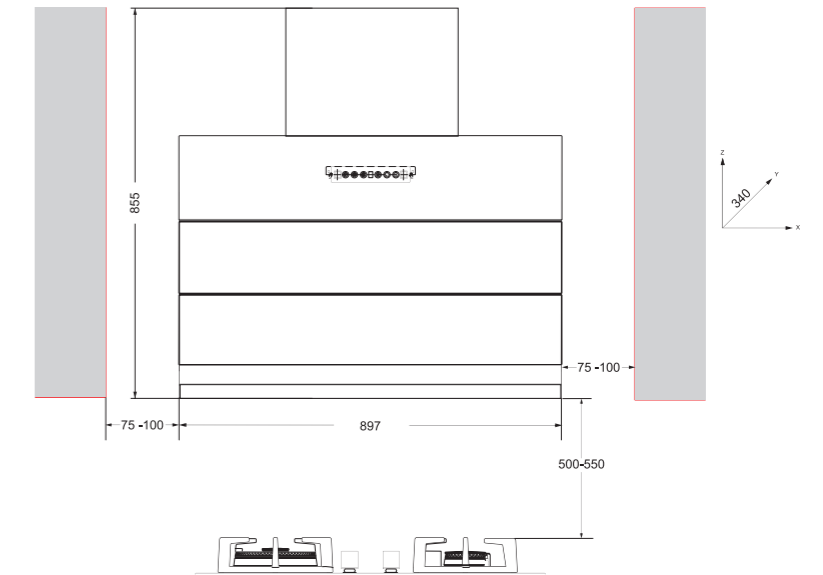
Specifications are measured under standard lab conditions and have tolerance of +/-10mm.  
All dimensions are in mm

## Installation guide

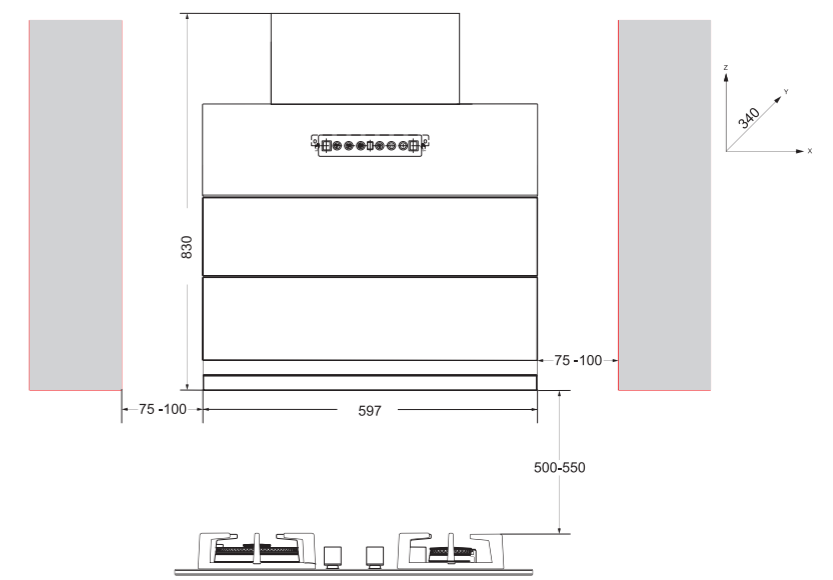
**CHD-QPVC90FLE-MBL**  
QuietPro



**CHD-SSI90FLE-MBL**  
SensoSmart



**CHD-SSI60FLE-MBL**  
SensoSmart

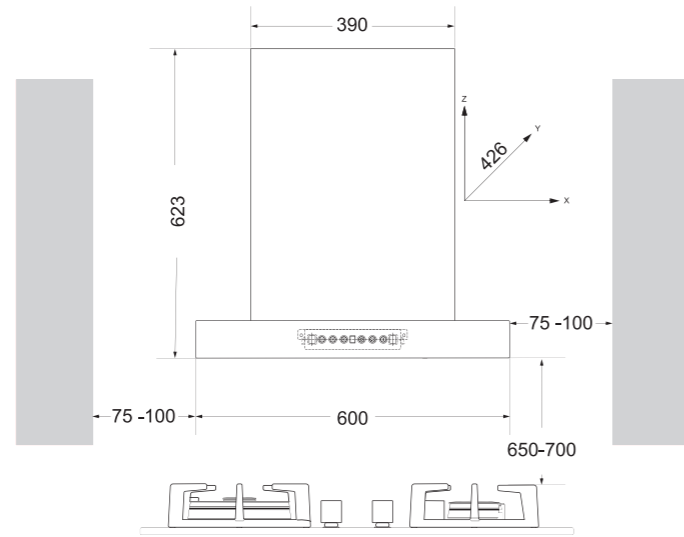


Specifications are measured under standard lab conditions and have tolerance of +/-10mm.  
All dimensions are in mm

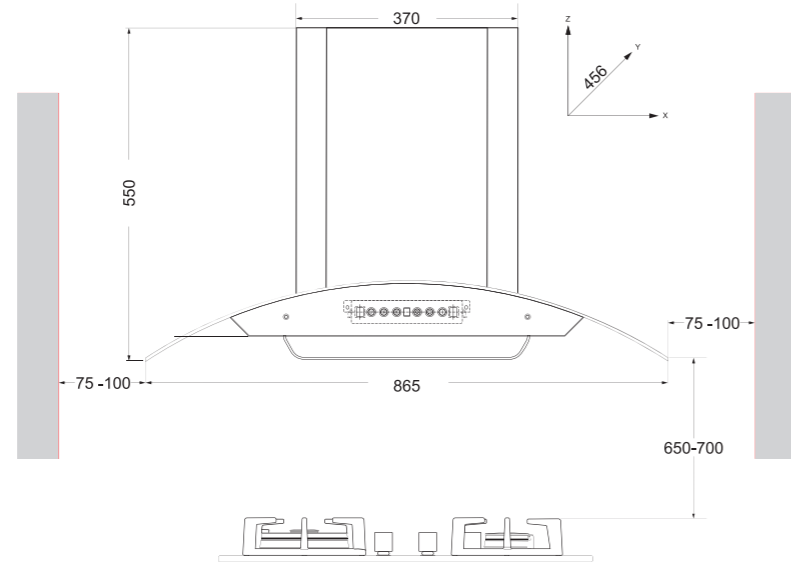


## Installation guide

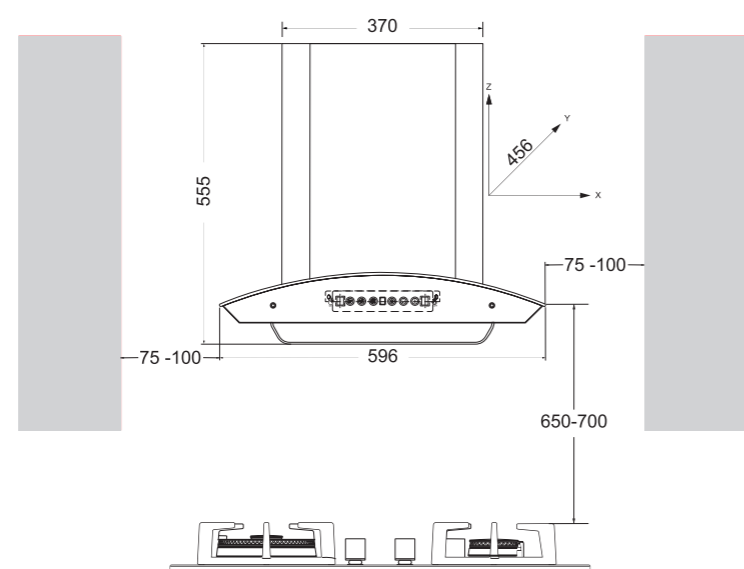
**CHD-SSB60BFE-MBL**  
SensoSmart



**CHD-SSC90FLE-MBL**  
SensoSmart



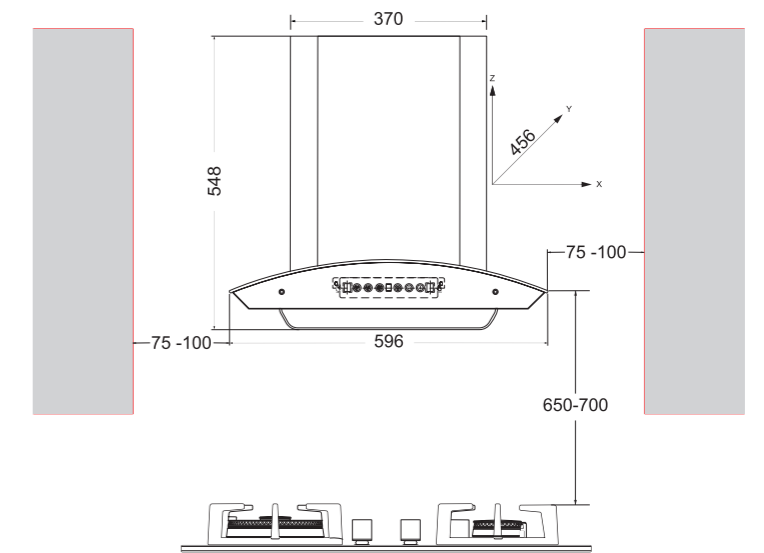
**CHD-SSC60FLE-MBL**  
SensoSmart



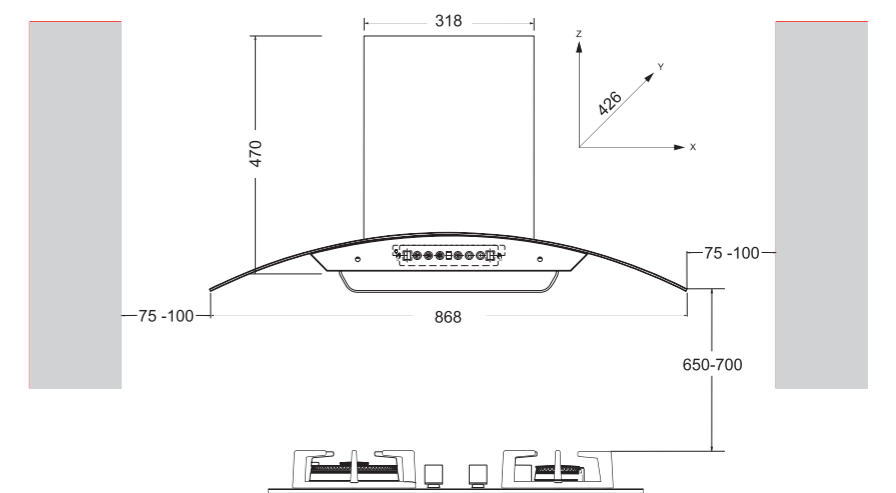
Specifications are measured under standard lab conditions and have tolerance of +/-10mm.  
All dimensions are in mm

## Installation guide

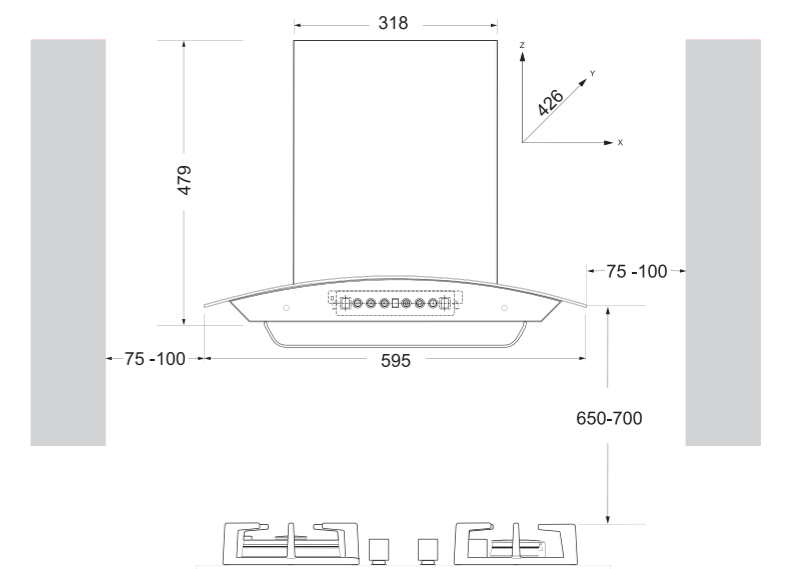
**CHD-SSC60BFE-MBL**  
SensoSmart



**CHD-IMC90BFA-MBL**  
IntelliMotion



**CHD-IMC60BFA-MBL**  
IntelliMotion



Specifications are measured under standard lab conditions and have tolerance of +/-10mm.  
All dimensions are in mm

# Hobs

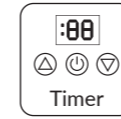
**Give your kitchen the best choice of hob it truly deserves.**

Put an end to your worries about not turning OFF the hob on time! With our digital timer hobs, pre-set timer and our hob gets the job done for you. Our hob has full brass burners, multi-rings, and 3D flame technology, making them suitable for a large variety of cooking, from slow to high heat.





## Crompton's Key Innovations



### Digital timer in wok burner\*

Now, no worries about switching OFF the hob! Get consistent cooking results with our OpTime hobs, just set the timer and our hob gets the job done for you.



### 3D Flame Technology

With our high-efficiency 3D brass burners that ensure equal heat distribution throughout all corners of the vessel, you can cook every dish to perfection in less time. So that when it comes to serving Biryani, you spend less time preparing it and more time enjoying.



### Flame Failure Safety Device

In the event of a spill, our smart sensor enabled hobs automatically turn off the gas supply, ensuring your safety and peace of mind.



### High efficiency full Brass Burners#

Our hobs include full brass burners for increased efficiency and consistent heat distribution, making them perfect for slow cooking as well. The brass design also ensures long life and high performance, saving you the trouble of having to replace your burners due to melting.



### Brass Burners with multi-ring flame

Enjoy consistent cooking with our powerful Triple Ring Wok burners, which have three concentric rings of flame for increased strength and better flame dispersion. The outer ring enables high heat cooking, while the mini-ring allows slow cooking or simmering.



### Cast iron pan support with enamel coating

Our hobs feature pan supports made of robust cast iron with an enamel coating. As a result, they can withstand larger loads without deforming.

\*Digital timer available in OpTime Series, All OpTime models have Pan support with flame guard

#Full brass burners available only in OpTime



### Toughened glass with beveled edges

The toughened glass of our hob can withstand heavy loads without giving up, and the beveled edges keep the premiumness intact.



### Premium heat resistant metal knobs

Our hobs come with metal knobs with a superior look and feel that are durable and easy to operate.



### Sleek and stylish

Our SuperSlim hobs are easy to install and come in sleek, modern designs with edges as thick as a notebook, making them one of the most eye-catching kitchen upgrades you can make. Not only that, but you won't have to cut the slab to install the SuperSlim hobs in your kitchen.



### Auto-ignition

Lighters will become a huge no-no with our auto-ignition hobs that ignite on their own.



## OpTime

Now, no worries about switching OFF the hob! Get consistent cooking results with our OpTime hobs, just set the timer and our hob gets the job done for you.



## OpTime Series

Model: HOB-OPFB905TI-MBL  
Optime FB 90cm 4Br MBLK

₹ 36,090

Features:

- Digital Timer in Hobs
- High-efficiency triple & dual ring burners (2\*1.5kW, 1\*2.5kW, 1\*3.5kW)
- 3D Flame Technology
- Flame Failure Safety Device
- Cast iron pan support with enamel coating
- Full Brass Burners
- Premium Metal Knobs
- Toughened Glass 8mm

Net Dimensions: W x D x H (mm): 900x520x138

Number of Burners : 4

Type of Burners : Full Brass, 3D.

Warranty: 2yr On Product,

5yrs on Burner,

5yrs on Glass



Model: HOB-OPFB784TI-MBL  
Optime FB 78cm 4Br MBLK

₹ 34,890

Features:

- Digital Timer in Hobs
- High-efficiency triple & dual ring burners (2\*1.5kW, 1\*2.5kW, 1\*3.5kW)
- 3D Flame Technology
- Flame Failure Safety Device
- Cast iron pan support with enamel coating
- Full Brass Burners
- Premium Metal Knobs
- Toughened Glass 8mm

Net Dimensions: W x D x H (mm): 780x520x130

Number of Burners : 4

Type of Burners : Full Brass, 3D

Warranty: 2yr On Product,

5yrs on Burner,

5yrs on Glass.



Model: HOB-OPFB604TI-MBL  
Optime FB 60cm 4Br MBLK

₹ 32,390

Features:

- Digital Timer in Hobs
- High-efficiency triple & dual ring burners (2\*1.5kW, 1\*2.5kW, 1\*3.5kW)
- 3D Flame Technology
- Flame Failure Safety Device
- Cast Iron pan support with enamel coating
- Full Brass Burners
- Premium Metal Knobs
- Toughened Glass 8mm

Net Dimensions: W x D x H (mm) : 600x520x130

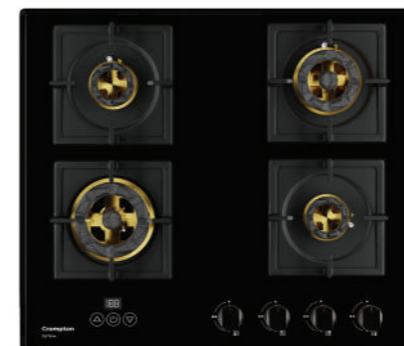
Number of Burners : 4

Type of Burners : Full Brass, 3D

Warranty: 2yr On Product,

5yrs on Burner,

5yrs on Glass



## OpTime Series

Model: HOB-OPFB783TI-MBL  
Optime FB 78cm 3Br MBLK

₹ 30,490

Features:

- Digital Timer in Hobs
- High-efficiency triple & dual ring burners (1\*1.5kW, 1\*2.5kW, 1\*3.5kW)
- 3D Flame Technology
- Flame Failure Safety Device
- Cast Iron pan support with enamel coating
- Full Brass Burners
- Premium Metal Knobs
- Toughened Glass 8mm

Net Dimensions: W x D x H (mm) : 780x450x130

No. of Burners: 3

Type of Burners: Full Brass, 3D.

Warranty: 2yr On Product,

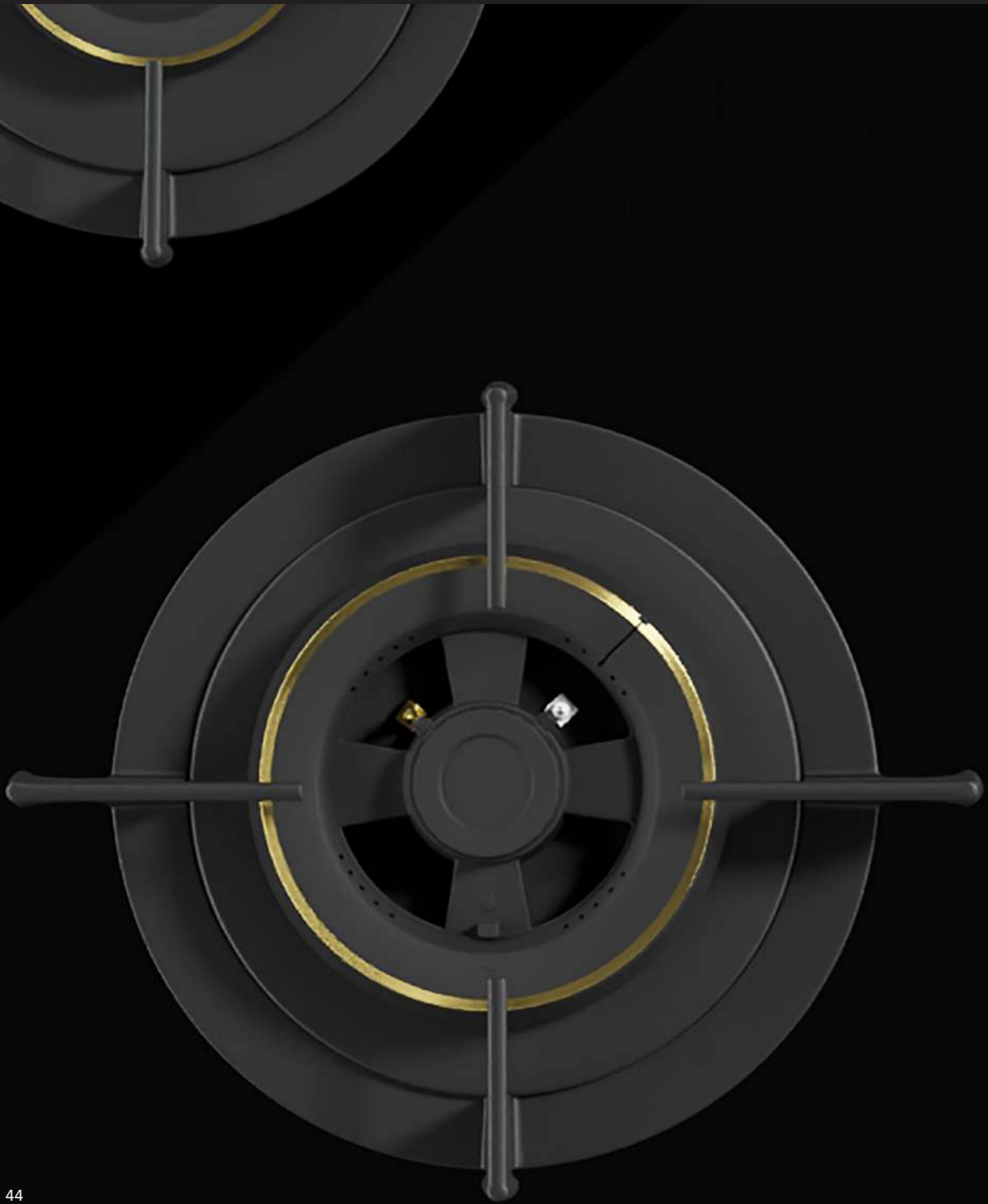
5yrs on Burner,

5 year on Glass



## SensoSafe

Crompton values your safety, which is why we provide the SensoSafe Series that features advanced sensors. If the flame goes off due to any liquid spillage such as milk or tea, our SensoSafe hob will switch off the gas supply immediately.



## SensoSafe Series

Model: **HOB-SSHB784-MBL**  
SensoSafe HB 78cm 4Br MBLK

₹ 23,790

Features:

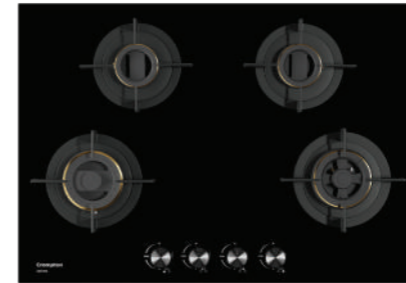
- High-efficiency triple & dual ring burners (2\*1.5kW, 1\*2.5kW, 1\*3.8kW)
- Brass Burners
- Cast Iron Pan Support
- Flame Failure Safety Device
- Premium Metal Knobs
- Toughened Glass 8mm

Net Dimensions: W x D x H (mm): 820 x 525 x 130

Number of Burners : 4

Type of Burners : Brass

Warranty: 2yr On Product,  
5yrs on Burner,  
5yrs on Glass.



Model: **HOB-SSHB783-MBL**  
SensoSafe HB 78cm 3Br MBLK

₹ 21,790

Features:

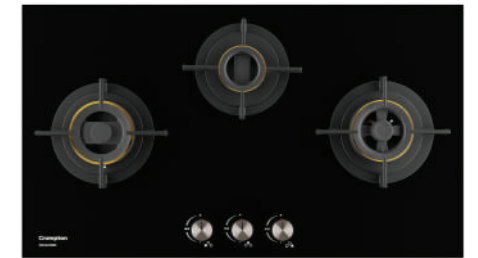
- High-efficiency triple & dual ring burners (1\*1.5kW, 1\*2.5kW, 1\*3.8kW)
- Brass Burners
- Cast Iron Pan Support
- Flame Failure Safety Device
- Premium Metal Knobs
- Toughened Glass 8mm

Net Dimensions: W x D x H (mm): 780 x 450 x 130

Number of Burners : 3

Type of Burners : Brass

Warranty: 2yr On Product,  
5yrs on Burner,  
5yrs on Glass.



Model: **HOB-SSHB604-MBL**  
SensoSafe HB 60cm 4Br MBLK

₹ 21,690

Features:

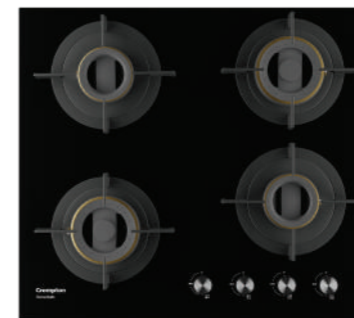
- High-efficiency triple & dual ring burners (2\*2.5kW, 2\*1.5kW)
- Brass Burners
- Cast Iron Pan Support
- Flame Failure Safety Device
- Premium Metal Knobs
- Toughened Glass 8mm

Net Dimensions: W x D x H (mm) : 600 x 525 x 130

Number of Burners : 4

Type of Burners : Brass

Warranty: 2yr On Product,  
5yrs on Burner,  
5yrs on Glass



## SensoSafe Series

Model: HOB-SSHB603-MBL  
SensoSafe HB 60cm 3Br MBLK

₹ 17,990

Features:

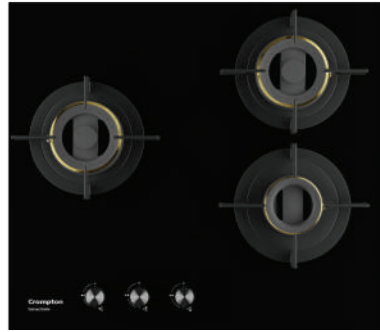
- High-efficiency triple & dual ring burners (2\*2.5kW, 1\*1.5kW)
- Brass Burners
- Cast Iron Pan Support
- Flame Failure Safety Device
- Premium Metal Knobs
- Toughened Glass 8mm

Net Dimensions: W x D x H (mm) : 600 x 525 x 130

Number of Burners : 3

Type of Burners : Brass

Warranty: 2yr On Product,  
5yrs on Burner,  
5yrs on Glass.





## SuperSlim

To give you the experience of a built-in hob without cutting the slab, we bring to you the SuperSlim hob with advanced features, which suit your kitchen.



## SuperSlim Series

Model: **TAB-SUHB784-MBL**  
SuperSlim HB 78cm 4Br MBLK

₹ 21,190

Features:

- Super Slim Body - Easy to Install
- Brass Burners
- High-efficiency triple & dual ring Burners (2\*1.4kW, 1\*1.8kW, 1\*2.7kW)
- Cast Iron pan support with enamel coating
- Ergonomic Metal Knobs
- Toughened Glass
- Auto Ignition (DC Battery operated)

Net Dimensions W x D x H (mm) : 760 x 450 x 110  
Body thickness: 29mm only  
Type of Burners : Brass Burners  
Warranty : 2yr On Product,  
5yrs on Burner,  
5yrs on Glass.



Model: **TAB-SUHB783-MBL**  
SuperSlim HB 78cm 3Br MBLK

₹ 18,690

Features:

- Super Slim Body - Easy to Install
- Brass Burners
- High-efficiency triple & dual ring Burners (1\*1.4kW, 1\*1.8kW, 1\*2.7kW)
- Cast Iron pan support with enamel coating
- Ergonomic Metal Knobs
- Toughened Glass
- Auto Ignition (DC Battery operated)

Net Dimensions W x D x H (mm): 760 x 450 x 110  
Body thickness: 29mm only  
Type of Burners : Brass Burners  
Warranty : 2yr On Product,  
5yrs on Burner,  
5yrs on Glass.



Model: **TAB-SUHB603-MBL**  
SuperSlim HB 60cm 3Br MBLK

₹ 17,490

Features:

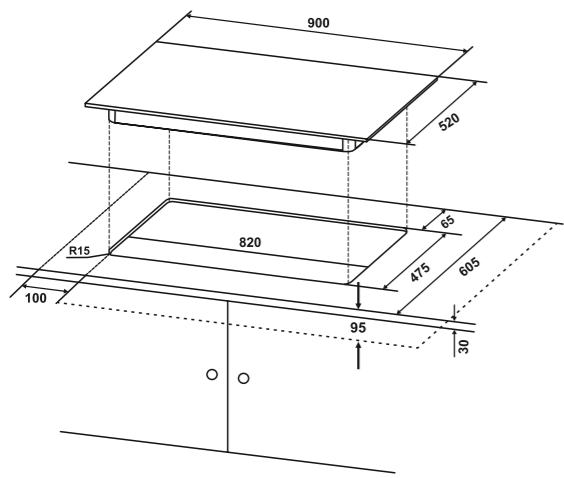
- Super Slim Body - Easy to Install
- Brass Burners
- High-efficiency triple & dual ring Burners (1\*1.4kW, 1\*1.8kW, 1\*2.7kW)
- Cast Iron pan support with enamel coating
- Ergonomic Metal Knobs
- Toughened Glass
- Auto Ignition (DC Battery operated)

Net Dimensions: W x D x H (mm) : 600 x 520 X 110  
Body thickness: 29mm only  
Type of Burners : Brass Burners  
Warranty: 2yr On Product,  
5yrs on Burner,  
5yrs on Glass.

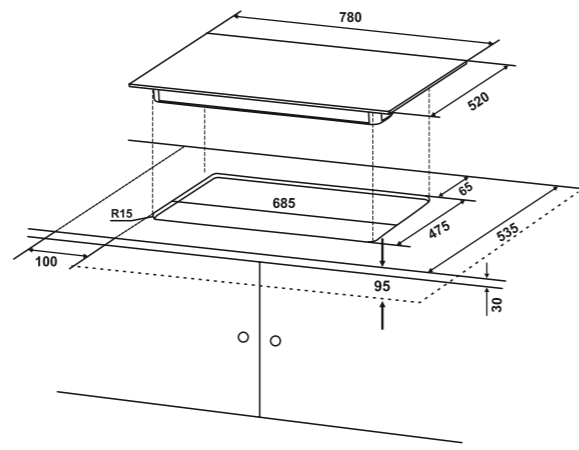


Installation guide

HOB-OPFB905TI-MBL

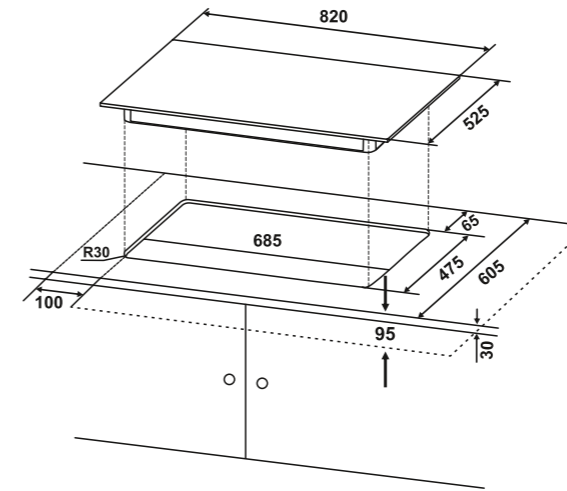


HOB-OPFB784TI-MBL

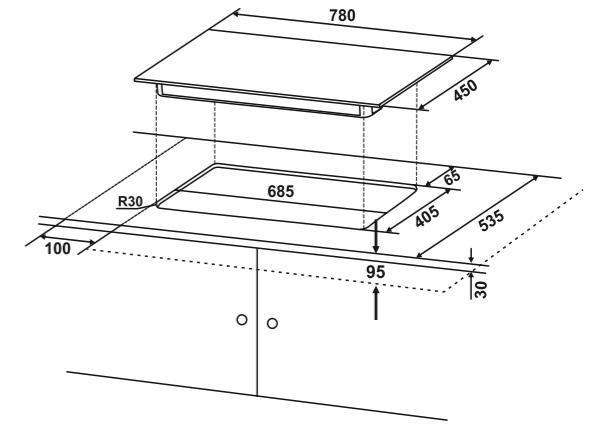


Installation guide

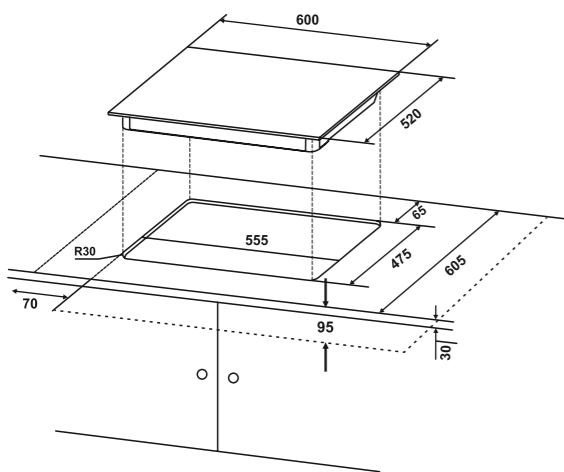
HOB-SSHB784-MBL



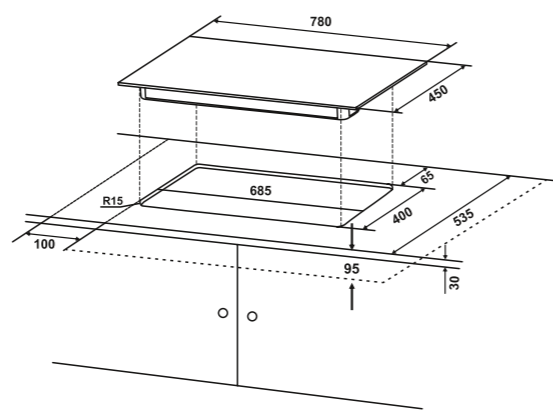
HOB-SSHB783-MBL



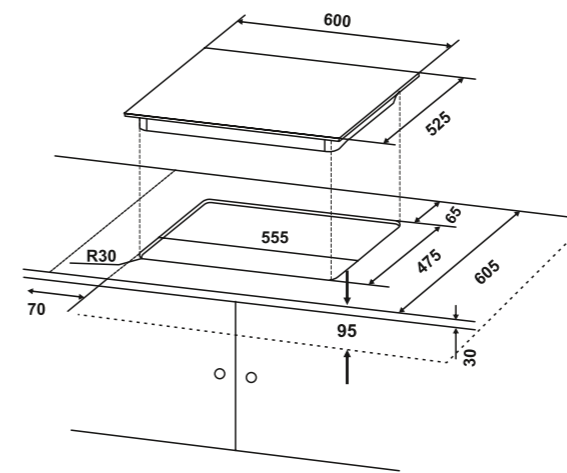
HOB-OPFB604TI-MBL



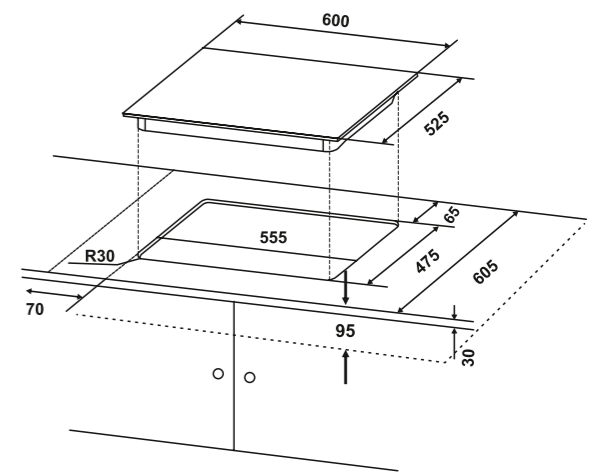
HOB-OPFB783TI-MBL



HOB-SSHB604-MBL



HOB-SSHB603-MBL



All dimensions are in mm

All dimensions are in mm

## Dishwasher

### Perfect companion to clean Indian utensils.

Our dishwashers feature PureBeam+ technology and steam wash to easily remove oil, grease, and stubborn stains from utensils while saving water. Crompton Dishwashers are therefore built for multi-directional targeted cleaning and turbo drying with pin-point accuracy, resulting in 99.99%\* germ-free utensils.



\*Tested and approved by International German Test institute of VDE.

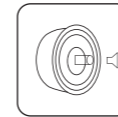


## Crompton's Key Innovations



### PureBeam+ Technology<sup>#</sup>

Crompton dishwashers use a combination of UV Beam and Ionizer technology to ensure bacteria-free dishes. The UV beam eliminates post-wash residual germs, while the ionizer's deodorising effect keeps your dishes smelling clean and fresh.



### HydroPower Inverter Motor

HydroPower wash mode is designed to give greater performance with reduced noise (44dB<sup>#</sup>) thanks to inverter motor technology. It introduces new and diverse ways to wash dishes by utilising variable pump pressure. As a result, the wash quality improves every time.



### Intelligent Turbo Drying<sup>#</sup>

Crompton dishwashers have a Turbo drying mechanism that eliminates the need to wipe the dishes after washing. The steam is completely drawn out of the dishwasher with the help of an additional fan support mechanism, resulting in completely dry dishes with no water droplets.



### Hygiene Wash

Our Hygiene wash feature helps you eliminate 99.99%\* of all bacteria that is tested and approved by International German Test Institute of VDE, by heating water up to 70 °C, before using it for the purpose of cleaning dishes ensuring highest level of hygiene during every wash.



### Steam Wash<sup>#</sup>

Water is heated up to 70 °C to create steam inside and softens up the crusts and leftovers from pots, pans, kadhais to fragile glasses. That's not all, the dishes are gently sanitized at the same time. The directly applied steam ensures perfect hygiene and gentle cleaning for dishes. It can also be combined with Extra Dry function for perfect drying results.



### Stainless Steel Inner body

Our dishwashers are created with Rust & Corrosion free high grade SS inner body for hygienic wash and longer life.

\*Tested and approved by International German Test Institute of VDE

<sup>#</sup> Available in selected models only



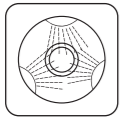
### Saves water up to 85%#

Did you know that washing utensils by hand could use up to 60 litres of water? With Crompton Dishwashers, there's no need to be worried about wasting water. Our dishwashers consume only 9 ltrs# of water against regular handwash that consumes 60 ltrs of water for same load.



### QuickClean function

Our dishwashers deliver A-class washing results with an advanced washing cycle in only 50 minutes, saving you time and hassle from having to wait longer for ideal cleaning results.



### DualPro wash#

Customized DualPro wash programme allows for one-wash cleaning at two different water pressures to remove oil and stain marks from utensils such as Kadhai, Pressure Cooker, Serving Pot, Saucepan, and others, resulting in completely clean utensils free of foul odours and stains. It can also be used in combination with the Extra Dry feature to provide optimal drying results.



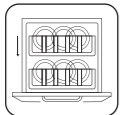
### Smart wash

Our dishwashers come with Smart sensors that intelligently analyze the degree of turbidity in the water and adjust the water, detergent, and rinse aid consumption as needed.



### ExtraFast Option

Reduces programme duration by up to 50% while increasing water temperature and pressure without compromising washing performance, resulting in 3x faster rinsing with optimal cleaning and drying efforts.



### FlexiBasket

The multi-stage rack support can be adjusted to fit taller plates on the middle rack while still leaving room for pots and pans below. Height can be adjusted both with and without a load.



# Available in selected models only

## Inside view of Crompton dishwasher

- 1 Third rack - A cutlery tray for spoons, knives and small dishes.
- 2 Upper basket - This compartment is ideal for placing variety of light crockery, delicate dishes and wine glasses.
- 3 FlexiBasket - Maximum flexibility and easy loading. The upper basket can be adjusted to different levels to load taller items on any rack.
- 4 Stainless steel inner tub - High-grade stainless steel tub is rust and corrosion free. It's durable, quieter and stays cleaner than conventional dishwashers.
- 5 Salt dispenser - Dishwasher salt neutralizes the effects of hard water with in-built water softener system.
- 6 FlexiRack - Foldable racks on upper and lower basket to load the dishes your way. Whether it's a pan on the top rack or a bowl on the bottom.
- 7 Spray arms - The upper and lower spray arms rotate when dishwasher is operational. Specially designed to create rectangular washing zone (20% more spray zone than conventional spray).
- 8 Two additional spray arms - Removes most difficult dirt and offers multi-directional powerful clean. They can work together both with main spray arm and individually.
- 9 AntiBacterial Filter - Filtration system with a high filtration rate better than metal and plastic filters for best dishwashing results.
- 10 Lower basket - This compartment is perfect for cleaning large crockery like pots and pans. This basket is exposed to the highest spray pressure and water temperature for maximum cleaning performance.
- 11 Detergent/ Tablet Dispenser - Dosage compartment for dishwasher tablet and powder.
- 12 PureBeam - UV technology to eliminate 99.99%\* bacteria and Ionizer for odour removal.



\*Tested and approved by International German Test institute of VDE .

## GrandArt

Built-in dishwashers by Crompton are designed to blend seamlessly into your new or existing kitchen. Leave the cleaning to the dishwasher after a hearty meal! Powered by UV Beam and Ionizer technology, this dishwasher range provides 99.99%\* bacteria and odour-free utensils. The dishwashers in this range have the largest capacity - fits a whole load of dishes, making it ideal for a household of up to seven people.

## GrandArt Series

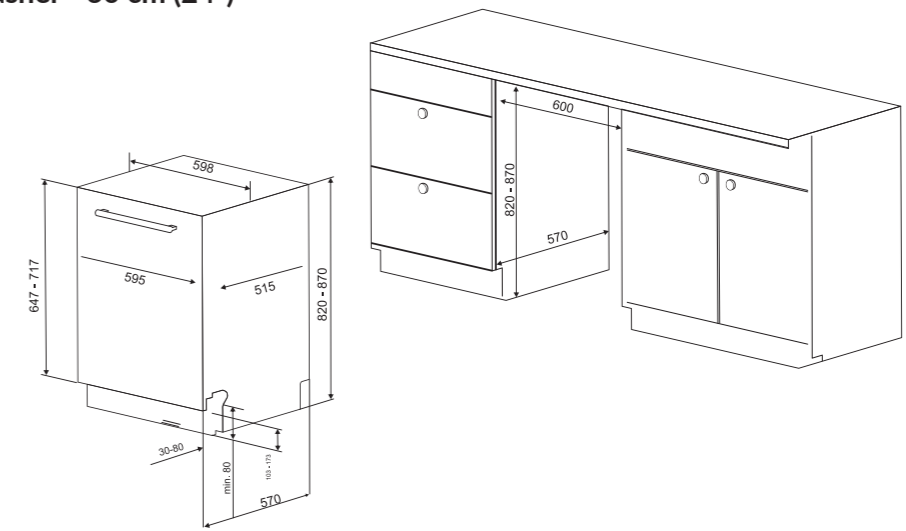
**Model: BI-DWGAV15PS-FI**  
**GrandArt BI Fully Integrated 15PS DW - Built In**  
**₹ 68,190**



- Features:
- 15 Place Setting + 3rd Rack for more space
  - PureBeam+ Technology with UV tech & Ionizer
  - Steam wash for heavily soiled dishes
  - Dual Pro wash for variable pressure at upper and lower baskets
  - Extra Fast, Extra Dry, and Extra Silent function
  - Additional Spray arms - Direct & Triple wash
  - Turbo Drying technology
  - Rust & Corrosion-free high-grade SS Inner tub
  - HydroPower Inverter Motor
  - Extra Hygiene wash that eliminates 99.99%\* bacteria

Net Dimensions :  
 W x D x H (in mm) : 598 x 550 x 820  
 Size : 60cm  
 Motor Type : Inverter Motor  
 No. of Programs : 9  
 Noise Level (dB) : 44\*  
 Energy Level : A+++  
 Water Consumption/cycle : 9 Ltrs\*  
 Rack : Upper Basket - 4 foldable racks,  
 4 Adjustable mug shelf  
 Lower Basket - 4 foldable racks  
 Warranty: 2yrs on Product,  
 10yrs on Motor

### Fully Integrated Dishwasher - 60 cm (24")



All dimensions are in mm

\* In eco mode

\*Tested and approved by International German Test institute of VDE.

## Voila

Crompton's Voila series dishwashers provide enhanced cleaning and drying performance, making your kitchen life easier. The special hygiene programme is exclusively designed to eliminate bacteria at 70°C hot water wash, making our freestanding dishwasher the most hygienic dishwasher available.



## Voila Series

**Model: FS-DWVOV13PS-INX**  
**Voila FS 13PS DW - Freestanding**

**₹ 59,490**

**Features:**

- 13 Place Setting + 3rd Rack for more space
- Steam wash for heavily soiled dishes
- Turbo Drying technology
- Dual Pro wash for variable pressure at upper and lower baskets
- Extra Fast, Extra Dry, and Extra Silent function
- Extra Hygiene wash that eliminates 99.99%\* bacteria
- Rust & Corrosion free high-grade SS Inner tub
- HydroPower Inverter Motor

Net Dimensions : W x D x H (in mm) : 598 x 598 x 850  
Size : 60 cm | Motor Type : Inverter Motor  
No. of Programs : 8 | Noise Level (dB) : 44  
Energy Level : A+++  
Water Consumption/cycle : 9 Ltrs#  
Rack : Upper Basket - 4 foldable racks,  
4 Adjustable mug shelf  
Lower Basket - Fixed Racks  
Warranty: 2yrs on Product,  
10yrs on Motor



**Model: FS-DWVOA12PS-DS**  
**Voila FS 12PS DW - Free standing**

**₹ 49,990**

**Features:**

- 12 Place Setting
- Super Active Drying system
- Intensive Kadhai Wash at 65 degree Celsius
- Hygiene Wash at 70 degree Celsius
- Extra Hygiene wash that eliminates 99.99%\* bacteria
- Rust & Corrosion free high-grade SS Inner tub
- Adjustable upper basket when loaded
- Delay Wash function

Net Dimensions : W x D x H (in mm) : 598 x 598 x 850  
Size : 60 cm | Motor Type : Asynchronous Motor  
No. of Programs : 6 | Noise Level (dB) : 52  
Energy Level : A++  
Water Consumption/cycle : 12 Ltrs#  
Rack : Upper Basket - 4 foldable racks,  
4 Adjustable mug shelf  
Lower Basket - Fixed Racks  
Warranty: 2yrs on Product,  
10yrs on Motor



#In eco mode

\*Tested and approved by International German Test institute of VDE .



## Built-in Oven

Let your cooking skills  
taste new heights.

Turn the cook inside you into a Master Chef with our thoughtfully designed built-in Ovens featuring 3D heating, Steam assisted cooking, Multi-level baking and more. So go ahead and rustle up a meal that everyone can relish, whenever you wish.



## Ovens Key Innovations



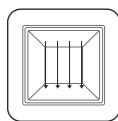
### Steam Plus

Our Steam Plus (steam assisted cooking) feature ensures that you never compromise on deliciousness of your food by adding extra moisture to it. So, your freshly baked bread can taste extra fresh, and your newly roasted meat can be extra juicy on the inside while attaining that perfect crispiness on the outside.



### 3D Heating

Our built-in ovens come with an additional heating element around the fan that not only helps blow hot air around the food but also helps with multi-rack cooking by maintaining an even flow of the hot air at all levels and at a consistent temperature.



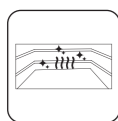
### Hot Air Shield

Our Hot Air Shield technology is uniquely & innovatively designed to prevent users from the hot and wet air that escapes from the oven door, after the cooking is done. By creating a shield-like air stream between oven's control panel and its bottom pane, it keeps the user safe from the hot oven air, at all times.



### Pyrolytic cleaning

The pyrolytic mode in our ovens helps eliminate the need for any and every kind of additional detergent-based cleaning steps by turning up the temperature to 450 °C, which helps convert the residues left over from roasting, grilling, and baking into a thin layer of ash that can simply be wiped away with a damp cloth.



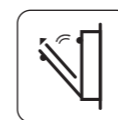
### Steam Cleaning

Now cleaning Oven's cavity is a hassle-free job! Our built-in Oven comes with Steam Cleaning function that softens up the dried food stains inside the cavity with vapour, ensuring that your oven's cavity stays hygienic and odour-free as ever.



### Multi-level cooking

Be it a 3-tier cake, or a batch of 60 cupcakes, you can now bake it all at the same time with our improved heat distribution system that delivers hot air to every layer and every corner inside your oven's stainless-steel cavity, evenly, so that every layer/ cupcake can come out fluffy and well-baked.



### Soft Open & Close Door

Slamming Oven doors shut will now be a thing of the past with our dampened hinge doors that enable soft opening and closing, without fail.



### Rotisserie

We bring to you a whole host of fanning, grilling and double grilling options for whole chickens and roast with our turnspit feature, that's sure to get you a lot of love at family gatherings and feasts.



## GrandArt Steam Oven Series



Model : **BIO-GASTM78L-MBL**  
GrandArt Steam Oven 78L MBLK

₹ 84,390

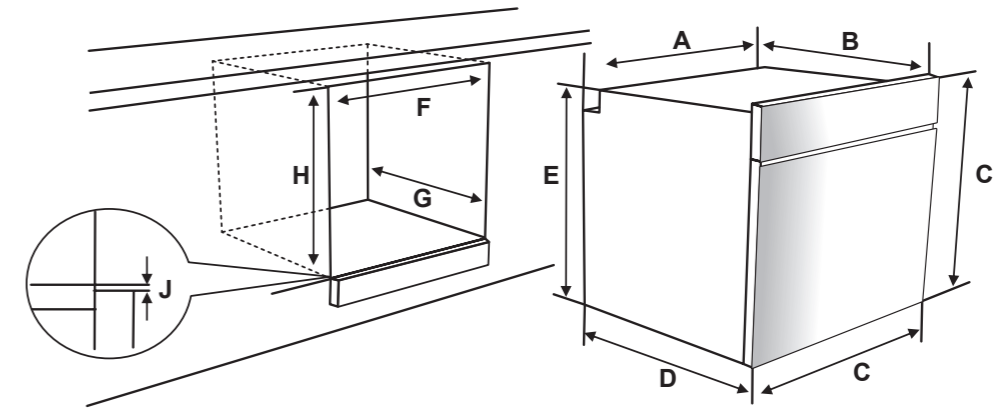
**Features:**

- Full Black Tempered Glass Design
- Steam Assisted Cooking
- 3D Heating
- Hot Air Shield
- Steam Cleaning
- Full touch control with LED Display
- Soft Open/Close door
- Catalytic Liner to protect sidewalls of Oven

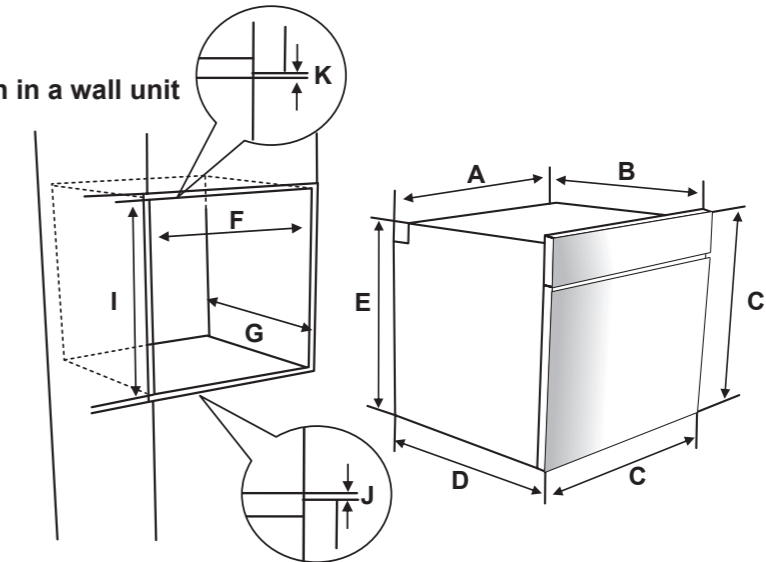
Size : 60cm  
Capacity : 78L  
Product Net Dimensions :  
WxDxH (in mm) :  
595 x 575 x 595  
Function : 10  
Control : Full Touch control  
with LED  
Energy Efficiency : A  
Cleaning Method: Steam clean  
Warranty : 2 Yr Comprehensive

## N\_75 - Installation built-in Oven standard

### Installation under a worktop



### Installation in a wall unit



Model : **BIO-GAPYR78L-MBL**  
GrandArt Pyrolytic Oven 78L MBLK

₹ 59,090

**Features:**

- Full Black Tempered Glass Design
- Rotisserie Function with Turnspit
- Pyrolytic Cleaning up to 475 degree
- 4 Layered Glass Door
- Digital Timer
- Multi-level Cooking

Size : 60cm  
Capacity : 78L  
Product Net Dimensions :  
WxDxH (in mm) : 595 x 575 x 595  
Function : 10  
Control : Digital Timer with  
Electronic  
Display, Easytronic.  
Energy Efficiency : A  
Cleaning Method : Pyrolytic  
Warranty: 2 Yr Comprehensive



Model: **BIO-VOCON78L-MBL**  
Voila Convection Oven 78L MBLK Voila

₹ 50,390

**Features:**

- Full Black Tempered Glass Design
- 3D Heating
- Hot Air Shield
- 3 Layered Glass Door
- Steam Cleaning
- Digital Timer with Electronic Display
- Catalytic Liner to protect sidewalls of Oven

Size : 60cm  
Capacity : 78L  
Product Net Dimensions :  
WxDxH (in mm) : 595 x 575 x 595  
Function : 10  
Control : Digital Timer with  
Electronic Display,  
Easytronic  
Energy Efficiency: A  
Cleaning Method : Steam Clean  
Warranty : 2 Yr Comprehensive

A	mm	557	min./max. F	mm	560/580
B	mm	550	min. G	mm	555
C	mm	595	min.H/I	mm	600/590
D	mm	575	min.J/K	mm	5/10
E	mm	585,3			

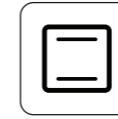
## Built-In Microwave Ovens

Show off your cooking skills,  
and see some of ours too.

Cooking healthy, delicious food will now be a breeze with our built-in microwave ovens. Designed with user-friendly functions and time-saving technologies, these microwave ovens are made to help you whip up yummy elaborate meals in lesser time so you can save more of it for yourself.



## Crompton's Key Innovations



### Convection cooking

Designed with an additional element around the convection fan, our ovens are built to provide additional heat for convection-style cooking, so your meals never lose the warmth that they are made with.



### Auto menu

Whip up any dish you want with our microwave ovens that are designed to help you excel at cooking with their 8 auto menus. Making them smarter kitchen assistants who can ensure smoother cooking experiences for you.



### Stainless steel cavity

With advanced structural design and exquisite craftsmanship, we ensure that the welding marks on our stainless steel cooking cavities are perfectly concealed and leave zero space for accumulation of oil stains and food residues.



### Defrost

Defrost your cream filled products, saved pizza slices, etc. with our heatless defrost feature that circulates air at room temperature to enable quicker thawing of food. So, you can dig into your favourite dishes without having to wait for too long.



### 30-second express timer

Get your nourishment on the go with our 30-second express timer that lets you heat food faster, so you can eat healthier, every day.

## Microwave GrandArt Series



Model : MWO-GACON25L-MBL  
GrandArt Convection MWO 25L MBLK

₹ 51,190

- Features:
- Full Black Tempered Glass Design
  - Convection/ Microwave/ Grill
  - 8 Auto Menus
  - Soft Touch Control
  - Surge Protector
  - Child Safety Lock

Size : 60 cm  
Capacity : 25L  
Product Net Dimensions :  
WxDxH (in mm) : 594 x 474 x 386  
Function : 8  
Control : Soft Touch  
Grill Power Output (W) : 1100  
Accessory : Baking Pan, Grill Pan,  
Grill Rack  
Warranty : 2 Yr Comprehensive

## Microwave Voila Series



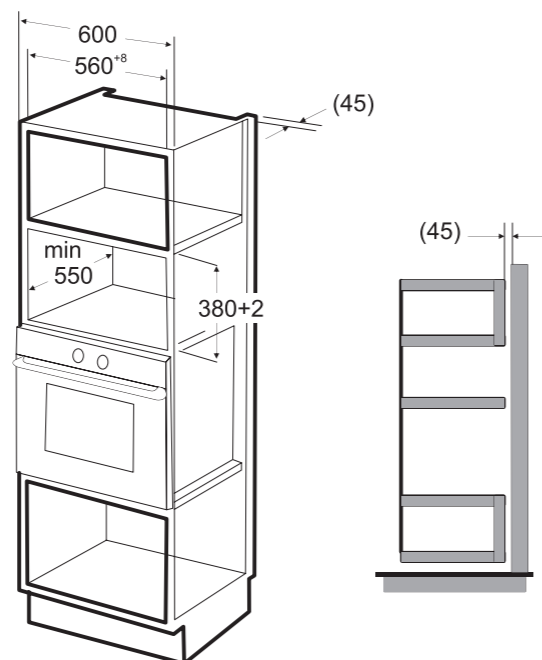
Model: MWO-VOSOL20L-MBL  
Voila Solo MWO 20L MBLK

₹ 31,190

- Features :
- Full Black Tempered Glass Design
  - 8 Auto Menus
  - Kitchen Timer
  - Surge Protector
  - Child Safety Lock

Size : 60 cm  
Capacity : 20L  
Product Net Dimensions :  
WxDxH (in mm) : 595 x 365 x 390  
Function : 8  
Control : Knob & Button  
Grill Power Output (W) : 1000  
Accessory : Glass Pan, Grill Rack,  
Warranty : 2 Yr Comprehensive

## Installation guide



All dimensions are in mm



## Built-In Warmer Drawer

### Make your kitchen versatile with our Warmer Drawers

Even the very last person receives a hot meal! You can warm many dishes at once or proof bread with the multifunctional warmer drawer, which smartly fits a 14cm niche. Did you know it also has a slow cook function that's great for roasting poultry?



## Crompton's Key Innovations



### Soft touch

Experience ease at every step with our soft feather touch control that allows easy access to the appliance, always.



### Child lock

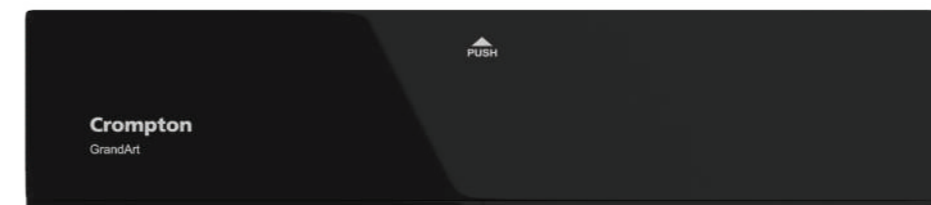
Our Warmer Drawer comes with the child lock feature to ensure the safety of your child as well as the appliance.



### LED Display

The LED display with flush touch control on our Warmer Drawer provide easy and seamless access to the Warmer Drawer, always.

## Warmer Drawer GrandArt Series



Model : WD-GACON20L-MBL  
GrandArt Warmer Drawer 20L MBLK

₹ 40,690

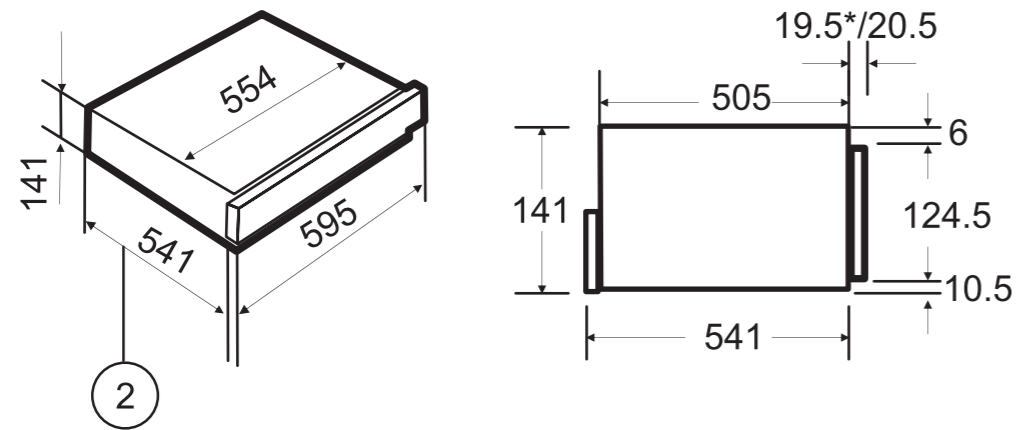
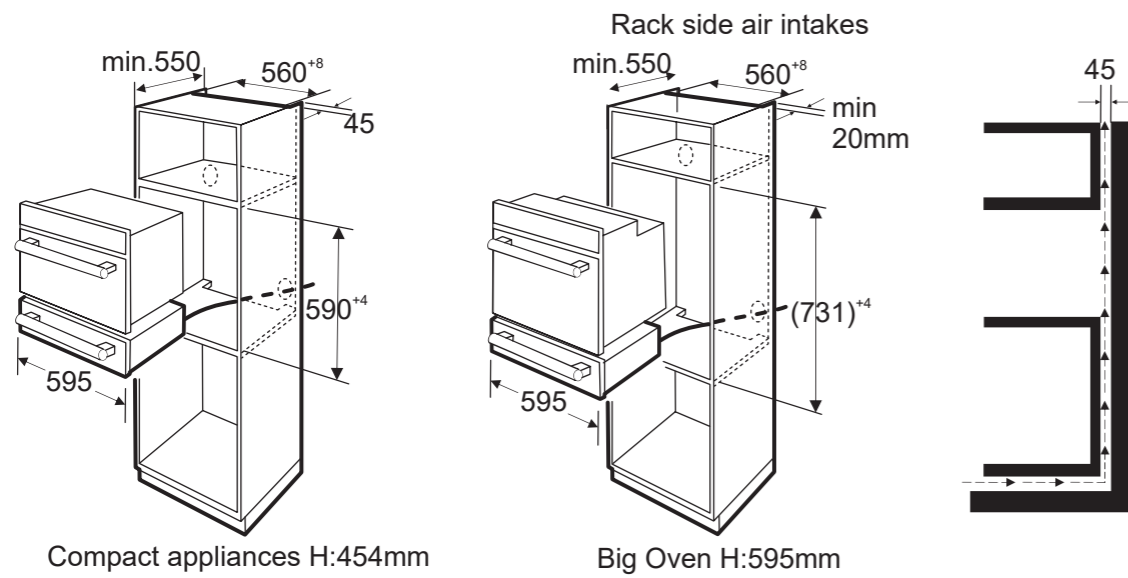
Features :  
- Flush touch & LED Display  
- Sensor Switches  
- Convection (Front to back)  
- Speed 13 min to 80 degree  
- Soft close

Size : 60cm  
Capacity : 20L  
Product Net Dimensions :  
WxDxH (in mm) : 595 x 561 x 141  
Control : Soft Feather Touch Electronic Display,  
Easytronic  
Warranty : 2 Yr Comprehensive

## Customer Service

We as CROMPTON, are always here to assist you  
Please call CROMPTON service on 1800 419 0505 (Toll Free),  
for any product queries or service escalations

Or Simply scan for service



\* Colour-fronted appliances  
An intermediate floor is not required.

Measurements in mm



All dimensions are in mm





**Crompton**