



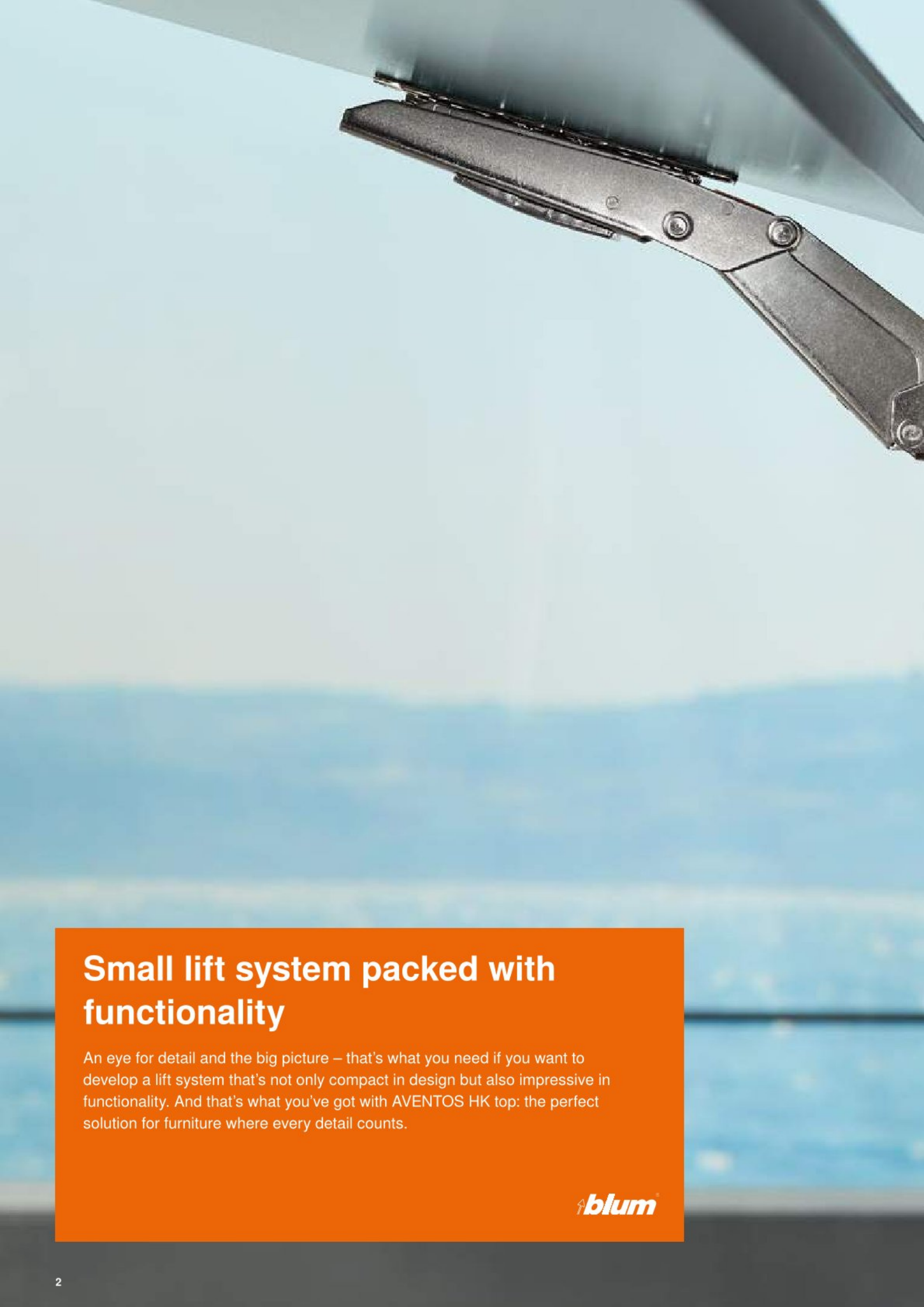
 **blum**[®]

AVENTOS HK top

Beautifully functional

www.blum.com

 **blum**[®]



Small lift system packed with functionality

An eye for detail and the big picture – that's what you need if you want to develop a lift system that's not only compact in design but also impressive in functionality. And that's what you've got with AVENTOS HK top: the perfect solution for furniture where every detail counts.

 **blum**

A dark, textured cabinet door is shown. A silver rectangular plate with the 'blum' logo is mounted on the door. The background is a blurred outdoor scene with blue water and a sky.

blum

Content

- 4** Sleek design
- 6** Integrated functionality
- 8** Well-thought-out assembly
- 10** Optimised installation
- 12** Motion technologies
- 14** SERVO-DRIVE
- 16** AVENTOS HK top throughout the home
- 20** DYNAMIC SPACE
- 22** Lift system range
- 24** AVENTOS fittings at a glance
- 26** Ordering and planning information
- 38** About Blum

Sleek design

AVENTOS HK top blends discreetly into tall units and wall cabinets, putting the focus even more firmly on the design of furniture. AVENTOS HK top has already won several design awards for its small installation size and minimalist design.



Small installation size

The size of AVENTOS HK top makes it ideal for small cabinets. But this compact yet powerful fitting is even suitable for large wall cabinets.

Minimalist cover cap

Linear design, harmonious proportions, smooth finish – the cover cap impresses with its minimalist look. With unique customer branding if desired.

Choice of three colours

Light grey, silk white or dark grey. Select the right colour cover cap to blend stylishly with your furniture, or why not introduce accents?



blum



reddot design award
winner 2018



GERMAN
DESIGN
AWARD
WINNER
2019



➤ Detailed information on the awards can be found at www.blum.com/award

Integrated functionality

Every AVENTOS HK top component has been optimised in detail to pack top functionality into a small space. You can even feel the advanced technology at work: lift systems glide open with ease and close softly and effortlessly.

blum



Variable stop

Adjust the lift mechanism precisely to the weight of the front and the stay lift remains exactly where you want it to, so it is always within easy reach.



Minimal opening forces

AVENTOS HK top boasts balanced opening forces regardless of the weight of the front. So even large and heavy fronts are easy to use.

Well-thought-out assembly

AVENTOS HK top has been designed to make assembly and installation precise and simple. You can choose between two different lift mechanisms – and consequently, two types of installation. Thanks to the new fixing position, drilling is the same for all applications and cabinet heights.

blum

Further information about assembly.



> www.blum.com/hktopassembly

Lift mechanism with positioning system

Simply position this type of lift mechanism so it touches the top panel and is flush with the cabinet face. No pre-drilling required.



Lift mechanism with pre-installed system screws

This type of lift mechanism is fixed to the cabinet side with two system screws and two pegs. It can even be installed before the cabinet is assembled. Simply drill four holes with a 32-mm spacing.

Optimised installation

Many useful features have been incorporated directly in AVENTOS HK top. As a result, the lift system can be mounted accurately, quickly and easily. The front gap layout and opening angle can be adjusted in no time. And the lift mechanism can be set from the front without having to remove the cover cap. This means that the lift system will stay open in any position desired.

blum



Our EASY ASSEMBLY app provides all the information you need for quick and easy installation and adjustment.

> www.blum.com/eaapp



Easy front attachment

The marking template makes it quick and easy to correctly position the front fixing brackets. Attach template, set front overlay, position front, mark position. That's it.



Integrated safety mechanism

The innovative safety mechanism stops the lever arm from opening unintentionally, making installation nice and safe.



Adjustment using TORX screws

AVENTOS HK top is based on TORX technology. This provides optimum support for precise and easy adjustment.



Infinitely variable opening angle

AVENTOS HK top comes with an integrated opening angle stop. The opening angle is infinitely variable and can be set exactly as required.



Find out more about
Blum's 4 motion
technologies at:



> www.blum.com/4formore



SERVO-DRIVE

by Blum

Electrical opening and soft close

Lift systems open at a single touch with SERVO-DRIVE.

And close automatically at the press of a switch with integrated soft close.

Make your wall cabinets easy to use

Enhance the functionality of AVENTOS HK top by combining the lift system with a motion technology. A motion support system makes it even easier for your customers to open and close tall units and wall cabinets – with or without handles.

blum

BLUMOTION

by Blum

Soft close

BLUMOTION ensures that fronts close softly and effortlessly – regardless of weight and how hard they are pushed shut.

TIP-ON

by Blum

Mechanical opening

Cabinets open at a single touch, giving you easy access to the opening edge of fronts. To close, simply press shut.



SERVO-DRIVE for supreme user convenience

AVENTOS HK top can also be combined with the SERVO-DRIVE electrical motion support system. Fronts open at a single touch and close at the press of a switch. What is more, the lift system still impresses with its small installation size despite the addition of a drive. Functionality at its best!

blum

Easy drive unit fixing

After installing the lift system, attach the drive unit to the lift mechanism. It is simply clipped on without tools.



Assisted start-up

Colour signals on the drive unit and wireless switch take you through start-up step by step and confirm that settings are correct.





All kinds of installation situations

Small in size, AVENTOS HK top fits snugly into every cabinet, e.g. above refrigerators.



Thin fronts of 8 mm or more

The new EXPANDO T fixing system makes it easy to combine AVENTOS HK top with thin fronts. The fixing system can be used for wall cabinets, doors and pull-outs.



Fronts with wide and narrow alu frames

You can implement a wide array of fronts with AVENTOS HK top. No matter whether wooden fronts or fronts with aluminium frames – the choice is yours,



Diverse applications in kitchens

AVENTOS HK top blends discreetly into cabinet interiors and wows in performance. Wide tall units and wall cabinets can be implemented with ease to meet exacting design standards and produce harmonious gap layouts throughout the kitchen.



Diverse applications throughout the home

The more bespoke your furniture, the greater the impact. AVENTOS HK top gives you many possibilities to put the focus on customised solutions.

blum

Door thicknesses up to 30 mm

Thanks to AVENTOS HK top, you can even implement thick wooden fronts. And they will open with ultimate ease no matter how heavy they are.

Add punch to cabinet interiors

You have a choice of different colour cover caps, so you can either allow the small lift system to blend harmoniously with interiors or accentuate it and add punch to the colour scheme.





Freedom of movement

Fronts open up and out of the user's way. What is more, they hold in any position so they can even stay open during cooking. This means you have easy access to contents at all times.



Ample storage space

Tall units and wall cabinets equipped with lift systems come in all heights and widths. They can be tailored to storage needs or designed to produce harmonious gap layouts throughout the kitchen.



Top quality motion

Fronts open with a feather-light glide. Lift systems can be equipped with a mechanical or electrical opening support system as desired. Soft close is already integrated in BLUMOTION and SERVO-DRIVE.



Easy access to contents

We conduct kitchen surveys all over the world. Findings show that users greatly benefit from lift systems in tall units and wall cabinets. Particularly in kitchens. We want you to create fine furniture that gives your customers enhanced user convenience. That is why we will carry on our research and tailor our range of fittings to meet customers' needs.

www.blum.com/ideas

blum



Find out more about
the advantages of
the different lift systems

> www.blum.com/aventos



Bringing diversity to wall cabinets

They fold, lift and swing up and over – AVENTOS lift systems bring a wide range of motion solutions to tall units and wall cabinets. We have the right lift system to suit every customer's needs and every installation situation.

blum



**AVENTOS HF –
For bi-fold lift systems**

The solution for high wall cabinets with bi-fold fronts and minimal space requirements above.



**AVENTOS HS –
For up & over lift systems**

The ideal fitting for large, one-piece fronts. There is enough space above the cabinet for crown mouldings or cornices.



**AVENTOS HL –
For lift ups**

Suitable for tall cabinets or wall cabinets with fronts positioned above, AVENTOS HL can also be used in tricky installation situations, e.g. integration of electrical appliances into wall units.



**AVENTOS HK top –
For stay lifts**

Compact, minimalistic, highly functional. Thanks to electrical support it is suitable for both small and large lift systems. Opening angle stop and safety mechanism are integrated.



**AVENTOS HK-S –
For small stay lifts**

The right solution for smaller, one-piece lift systems, e.g. above larger units or refrigerators. Its compact dimensions mean that the fitting fits snugly into small furniture.



**AVENTOS HK-XS –
For small stay lifts**

Suitable for many applications (for both tall cabinets and wall cabinets) and needs very little space. The lift system can even be used for cabinets with low internal depths.



AVENTOS range

The right lift system for any application

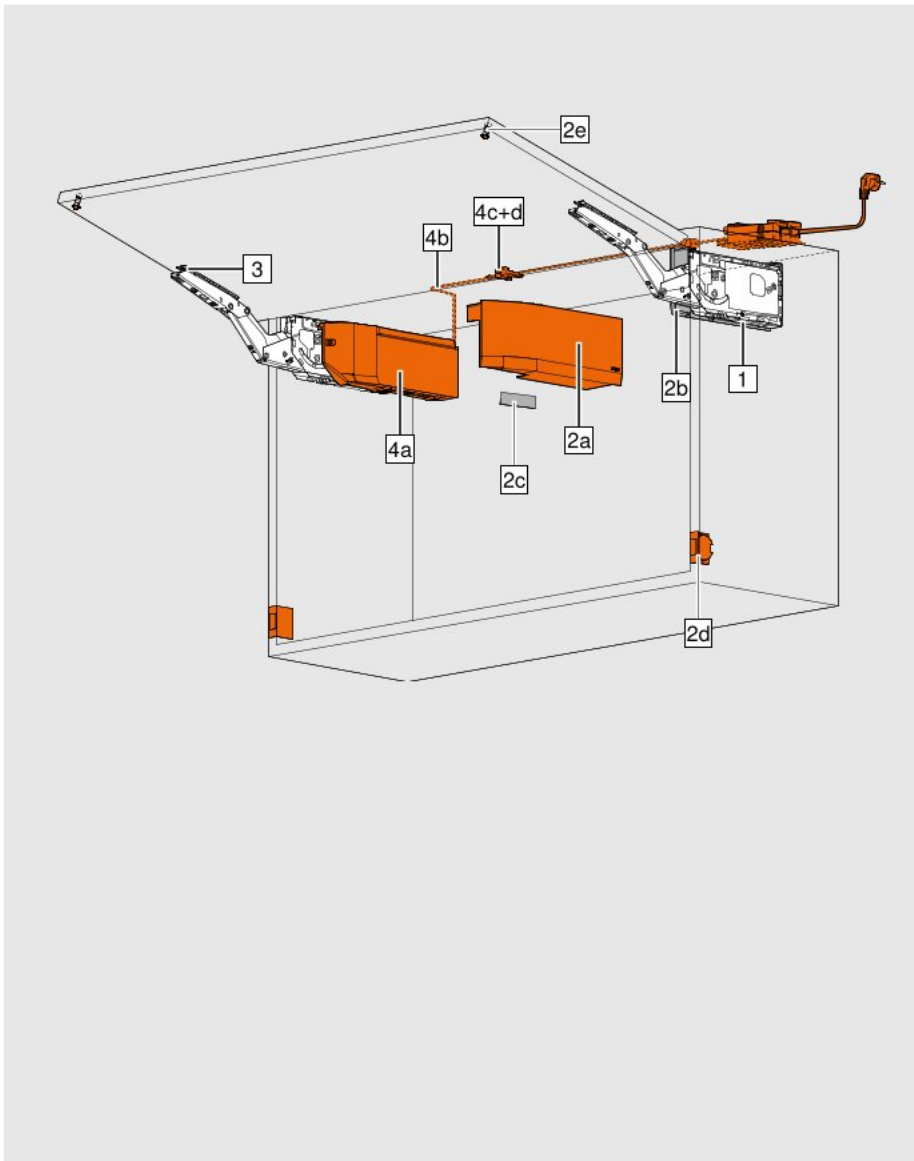


	Motion	Typical applications	Indication of front weight*	Possible fronts	Possible cabinet dimensions in mm
HF		Wall cabinet, top, two-part fronts		Wooden, wide/narrow alu frame fronts, wood-glass combinations, asymmetrical fronts	Height 480–1040 Width up to 1800
HS		Wall cabinet (if space), large, one-part fronts, with cornices and crown moulding		Thin fronts, wooden, wide/narrow alu frame fronts	Height 350–800 Width up to 1800
HL		Wall cabinet, tall cabinet (if space) within reaching height, devices behind, fronts above		Thin fronts, wooden, wide/narrow alu frame fronts	Height 300–580 Width up to 1800
HK top		Wall cabinet, tall cabinet, above fridge, larder unit, oven		Thin fronts, wooden, wide/narrow alu frame fronts	Height 205–600 Width up to 1800
HK-S		Wall cabinet, tall cabinet, above fridge, larder unit, oven		Wooden, wide/narrow alu frame fronts	Height 180–600 Width up to 1800
HK-XS		Wall cabinet, tall cabinet, above fridge, larder unit, oven, extractor, bath	 Two-sided	Wooden, wide/narrow alu frame fronts	Height 240–600 Width up to 1800



> *You use the front weight and cabinet height to calculate the power factor of the lift mechanism. We would be happy to assist you with your product selection at www.blum.com/configurator

	Minimum depth	Complete fitting or with hinges	Special installation or assembly	Available motion technology	Cover cap
	278	Hinges on cabinet top panel required + connection of fronts	CLIP assembly Cabinet top panel assembly 3 lift mechanism types (symmetrical) 4 telescopic arms (symmetrical)	 	<input type="radio"/> Silk white <input type="radio"/> Light grey <input checked="" type="radio"/> Dark grey
	276	No hinges required	CLIP assembly Cross stabiliser 9 lift mechanism types (symmetrical) 1 lever arm	 	<input type="radio"/> Silk white <input type="radio"/> Light grey <input checked="" type="radio"/> Dark grey
	278	No hinges required	CLIP assembly Cross stabiliser 5 lift mechanism types (symmetrical) 4 lever arms	 	<input type="radio"/> Silk white <input type="radio"/> Light grey <input checked="" type="radio"/> Dark grey
	187	No hinges required	CLIP assembly 4 lift mechanism types (symmetrical) lift mechanism adjustment from the front integrated safety solution and opening angle stop	  	<input type="radio"/> Silk white <input type="radio"/> Light grey <input checked="" type="radio"/> Dark grey
	163	No hinges required	CLIP assembly 3 lift mechanism types (symmetrical)	 	<input type="radio"/> Silk white <input type="radio"/> Light grey <input checked="" type="radio"/> Dark grey
	125 (Special solution with 100 mm possible)	Hinges on cabinet top panel required	CLIP assembly Cabinet top panel assembly 3 lift mechanism types (symmetrical)	 	



Using the power factor, you can calculate the number of required lift mechanisms. The power factor required depends on the weight of the front (incl. double the handle weight) and cabinet height.

When using a third lift mechanism (a power factor increase of up to 50%), we recommend a trial application.

Note

We recommend an additional lift mechanism attached to the centre panel for wide cabinets. The reason for this is to prevent the middle of the front from sagging when open.

- Standard
- SERVO-DRIVE



Power factor (LF) = cabinet height (KH) (mm) x front weight incl. double handle weight (kg)



A trial application is recommended at the edge areas of the individual lift mechanisms.

Order specification

<input type="checkbox"/>	<input checked="" type="checkbox"/>	1	Lift mechanism set
Symmetrical with pre-mounted system screws			
LF		OW	
420–1610	max. 107°		22K2310
930–2800	max. 107°		22K2510
1730–5200	max. 107°		22K2710
3200–9000	max. 107°		22K2910
Max. front weight 18 kg for two lift mechanisms			

Alternative

<input type="checkbox"/>	<input checked="" type="checkbox"/>	1	Lift mechanism set
Symmetrical with chipboard screws incl. positioning template			
LF		OW	
420–1610	max. 107°		22K2300
930–2800	max. 107°		22K2500
1730–5200	max. 107°		22K2700
3200–9000	max. 107°		22K2900
Max. front weight 18 kg for two lift mechanisms			

<input type="checkbox"/>	<input checked="" type="checkbox"/>	2	Cover cap set
Material		Colour	
Plastic		HGR SW TGR	22K8000
Consisting of:			
1 x cover cap left			
1 x cover cap right			
2 x branding element, stainless steel (inox) longside brushed, stamped with Blum logo			

<input checked="" type="checkbox"/>	<input type="checkbox"/>	2	Cover cap set for SERVO-DRIVE
Material		Colour	
Plastic		HGR SW TGR	23K8000
Consisting of:			
2a 1 x SERVO-DRIVE cover cap left			
2b 1 x cover cap right			
2c 2 x branding element, stainless steel (inox) longside brushed, stamped with Blum logo			
2d 2 x SERVO DRIVE switches			
2e 2 x Blum distance bumpers, Ø 5 mm			

<input type="checkbox"/>	<input checked="" type="checkbox"/>	3	Front fixing bracket set
Symmetrical, nickel plated			
Wooden fronts and wide alu frames*			20S4200
Narrow alu frames			20S4200A
* Use 4 chipboard screws (609.1x00) per side for wooden fronts. Use 4 countersunk self-tapping screws (660.0950) per side for wide alu frames.			

Alternative

<input type="checkbox"/>	<input checked="" type="checkbox"/>	Front fixing bracket
Symmetrical, nickel plated		
EXPANDO T	2 x	20S42T1
EXPANDO T for thin fronts		

<input checked="" type="checkbox"/>	<input type="checkbox"/>	4	SERVO-DRIVE set
Material		Colour	
Plastic		Dust grey	23KA000
Consisting of:			
4a 1 x drive unit			
4b 1 x distribution cable, 1500 mm			
4c 1 x connecting node			
4d 2 x cable end protectors			
We recommend using two synchronised drive units for three lift mechanisms or more			

<input checked="" type="checkbox"/>	<input type="checkbox"/>	Blum transformer and accessories
See page 36		

Accessories

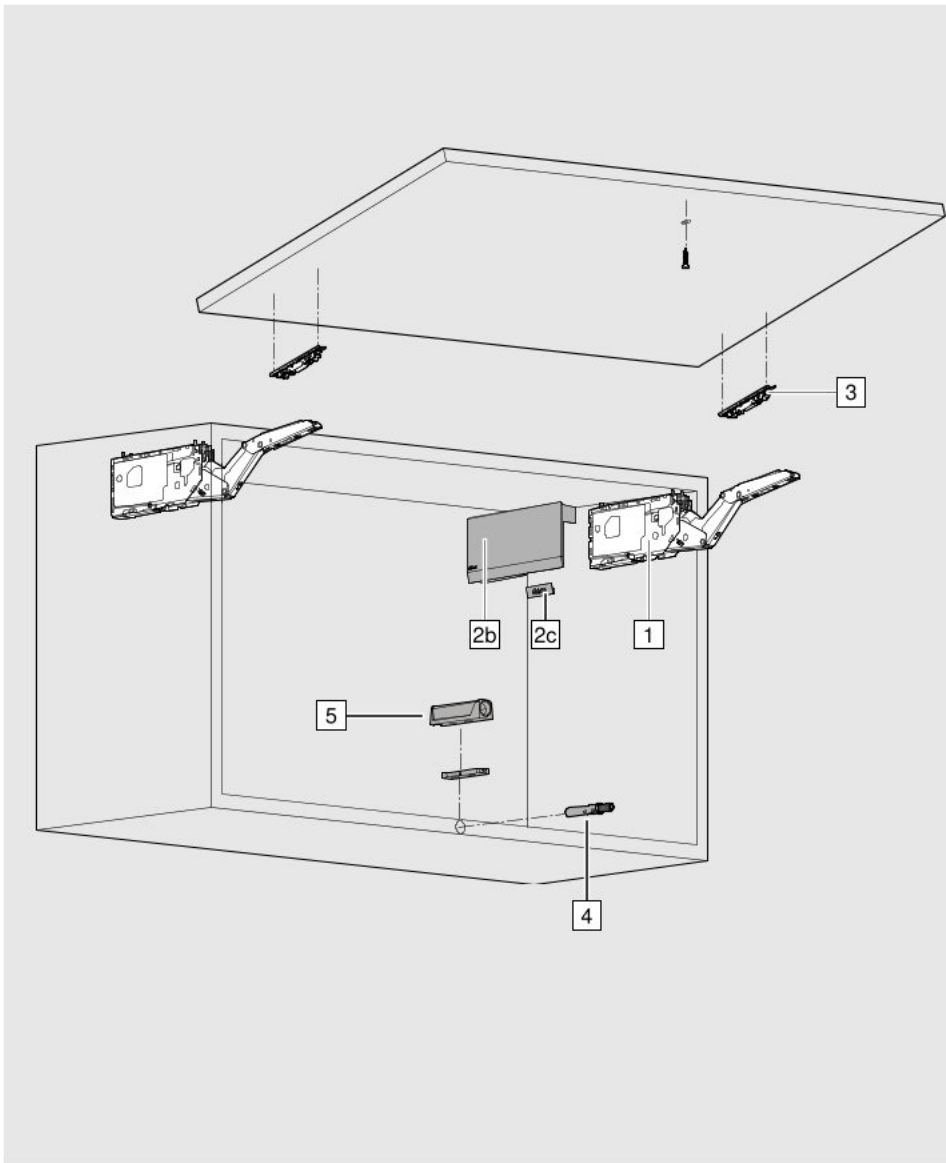
<input type="checkbox"/>	<input checked="" type="checkbox"/>	Universal individual template
		65.1051.02

<input type="checkbox"/>	<input checked="" type="checkbox"/>	Marking template for AVENTOS HK top
		ZML.2200

LF Power factor

OW Opening angle (infinitely adjustable)

HGR | SW | TGR Light grey, silk white, dark grey



Using the power factor, you can calculate the number of required lift mechanisms. The power factor required depends on the weight of the front (incl. double the handle weight) and cabinet height.

When using a third lift mechanism (a power factor increase of up to 50%), we recommend a trial application.

Note

We recommend an additional lift mechanism attached to the centre panel for wide cabinets. The reason for this is to prevent the middle of the front from sagging when open.



Power factor (LF) = cabinet height (KH) (mm) x front weight incl. double handle weight (kg)



■ Lift mechanism two-sided

Power factor (LF) →

A trial application is recommended at the edge areas of the individual lift mechanisms.

Order specification

1 Lift mechanism set			
Symmetrical with pre-mounted system screws			
	LF	OW	
	420–1610	107°	22K2310T
	930–2800	107°	22K2510T
	1730–5200	100°	22K2710T
	3200–9000	100°	22K2910T
Max. front weight 18 kg for two lift mechanisms			

Alternative

1 Lift mechanism set			
Symmetrical with chipboard screws incl. positioning template			
	LF	OW	
	420–1610	107°	22K2300T
	930–2800	107°	22K2500T
	1730–5200	100°	22K2700T
	3200–9000	100°	22K2900T
Max. front weight 18 kg for two lift mechanisms			

2 Cover cap set			
	Material	Colour	
	Plastic	HGR SW TGR	22K8000
	Consisting of:		
2a 1 x cover cap left			
2b 1 x cover cap right			
2c 2 x branding element, stainless steel (inox) longside brushed, stamped with Blum logo			

3 Front fixing bracket set			
	Symmetrical, nickel plated		
	Wooden fronts and wide alu frames*		20S4200
	Narrow alu frames		20S4200A
* Use 4 chipboard screws (609.1x00) per side for wooden fronts. Use 4 countersunk self-tapping screws (660.0950) per side for wide alu frames.			

Alternative

Front fixing bracket			
	Symmetrical, nickel plated		
	EXPANDO T	2 x	20S42T1
	EXPANDO T for thin fronts		

4 TIP-ON set			
	Material	Colour	
	Plastic	SW TS R7036	
	Short version: up to KH 500 mm		956.1004
	Long version: from KH 501 mm		956A1004
Consisting of:			
1 x TIP-ON			
1 x screw-on catch plate			
1 x chipboard screw 609.1500			
1 x glue-on catch plate			

5 Straight adapter plate		
	Colour	
	Silk white (SW), terra black (TS), RAL 7036 platinum grey (R7036), nickel finish (NI-L)	
	Short version	956.1201
	Long version	956A1201

Alternative

Cruciform adapter plates		
	Colour	
	RAL 7036 platinum grey (R7036)	
	Long version	956A1501

Accessories

Universal individual template		
		65.1051.02

Marking template for AVENTOS HK top		
		ZML.2200

LF Power factor

KH Cabinet height

OW Opening angle (infinitely adjustable)

HGR | SW | TGR Light grey, silk white, dark grey

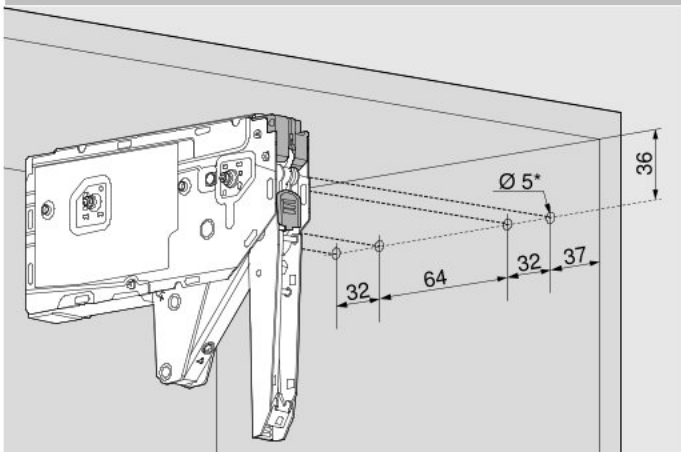
AVENTOS HK top



Standard, TIP-ON and SERVO-DRIVE for AVENTOS HK top

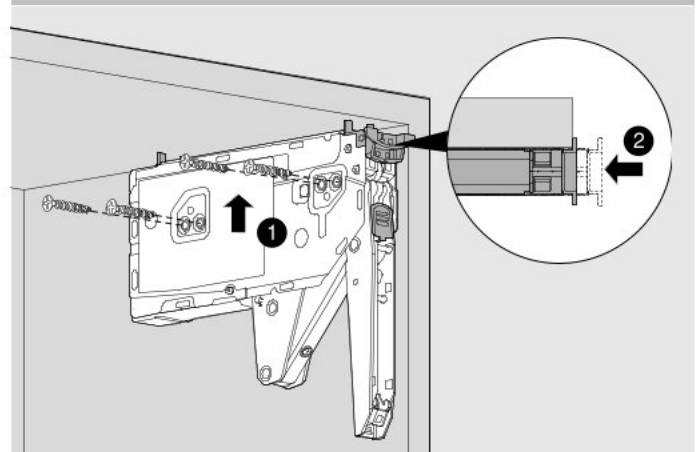
Planning

Fixing positions for lift mechanism with pre-mounted system screws



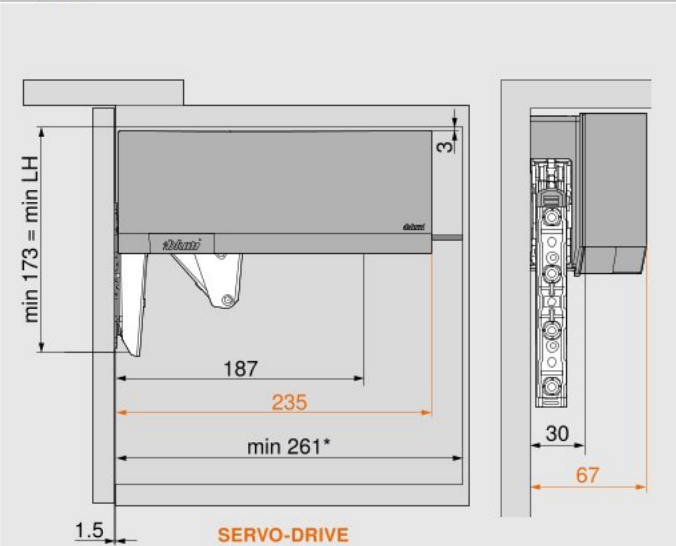
* Drilling depth 11.5 mm

Fixing positions for lift mechanism with chipboard screws incl. positioning template



4 x Ø 4 x 35 mm

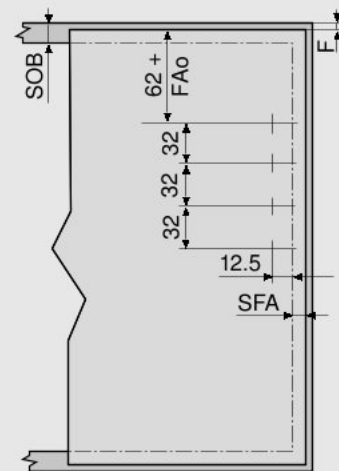
Space requirements in the cabinet



Note: Cabinet height max. 600 mm

* min. 261 mm with visible wall hanging bracket

Front assembly



Wooden fronts and wide alu frames*

The upper front overlay (FAo) is no more than 25.4 mm

Wall application: Requires 5 mm minimum gap

* Use 4 chipboard screws (609.1x00) for wooden fronts. Use 4 countersunk self-tapping screws (660.0950) for wide alu frames.

Standard

TIP-ON

SERVO-DRIVE

F Gap

FAo Upper front overlay

LH Internal cabinet height

SFA Front overlay of the side panel

SOB Top panel thickness

Standard, TIP-ON and SERVO-DRIVE for AVENTOS HK top

AVENTOS HK top



Planning

Front assembly

Narrow alu frames

The upper front overlay (FAo) is no more than 25.4 mm
Wall application: Requires 5 mm minimum gap

Planning for narrow alu frames

For frame width 19 mm: SFA of 11–18 mm possible

* When changing material thickness, adjust the assembly dimensions accordingly

Cornice and crown moulding space requirement

FD (mm)	16	19	22	26	28
X (mm)	68	57	47	33	27

Maximum top panel thickness 25.4 mm
 $Y = FH \times 0.29 + FD - SOB$

Minimum gap

The MF is 2 mm

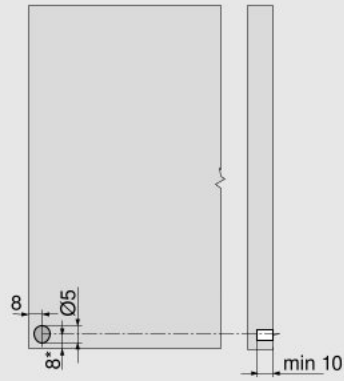
FD Front thickness
FH Front height

MF Minimum gap for opening
SFA Front overlay of the side panel

SOB Top panel thickness

Planning

Blum distance bumper drilling position

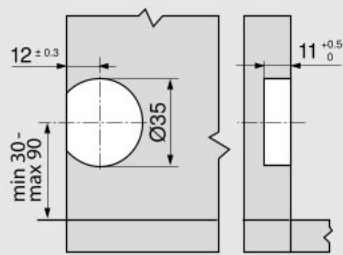


Recommendation for aluminium frames: Provide drill hole for the Blum distance bumper in the cabinet side. A trial application must be carried out when fixing the Blum distance bumper to the front.

Do not glue Blum distance bumper.

* From cabinet bottom edge for fronts that protrude below.

SERVO-DRIVE switch



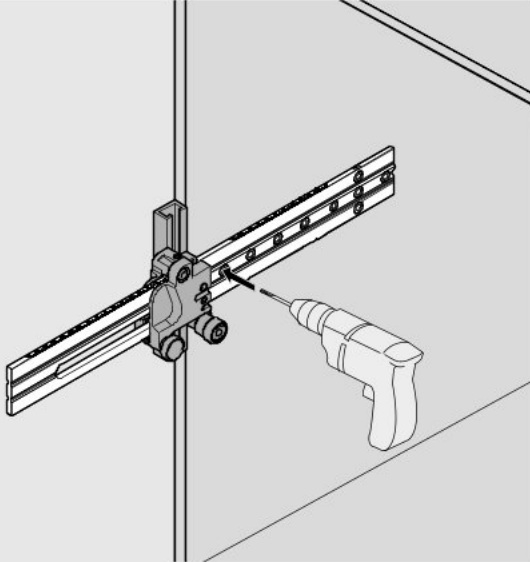
Standard, TIP-ON and SERVO-DRIVE
for AVENTOS HK top

AVENTOS HK top

blum

Planning

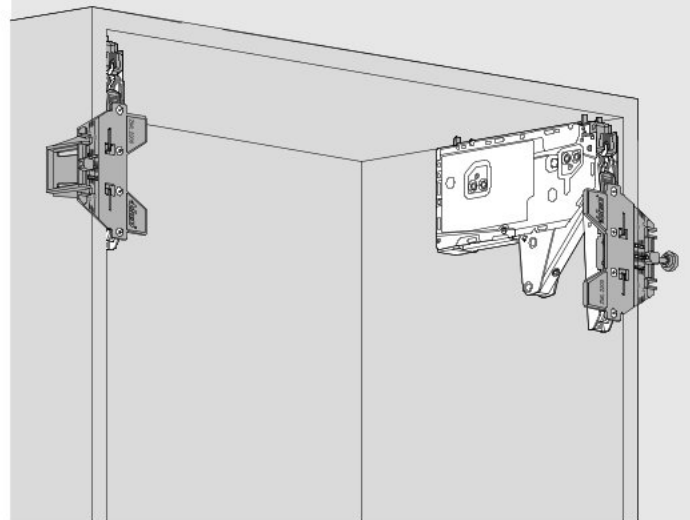
Cabinet assembly



Drilling template
can be used for all lift systems

65.1051.02

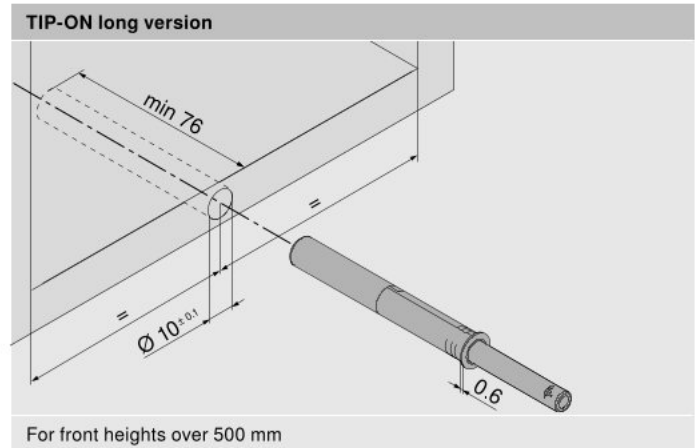
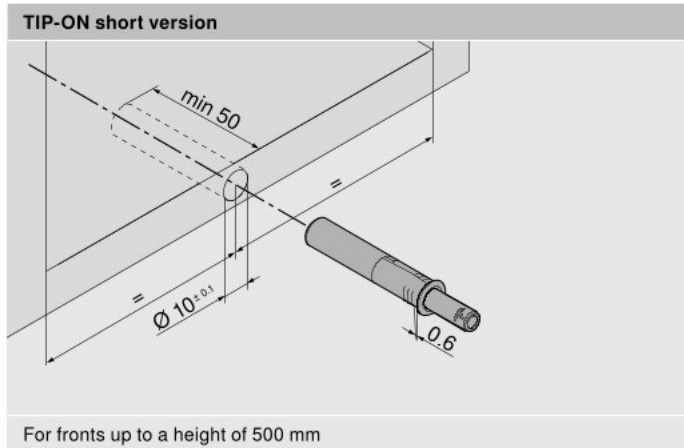
Front assembly template



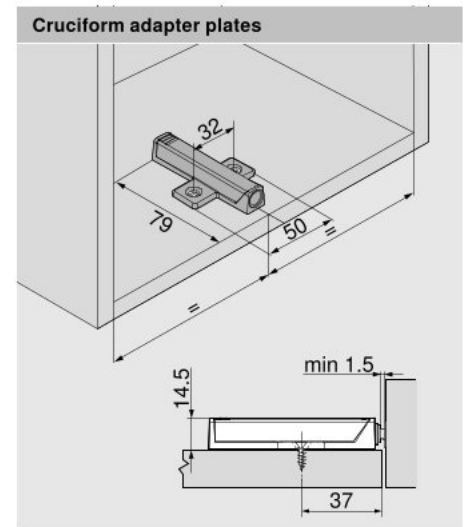
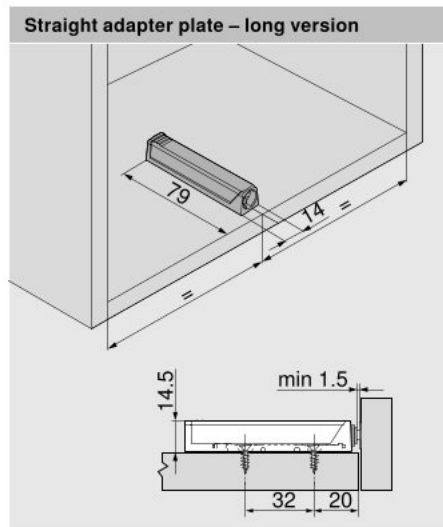
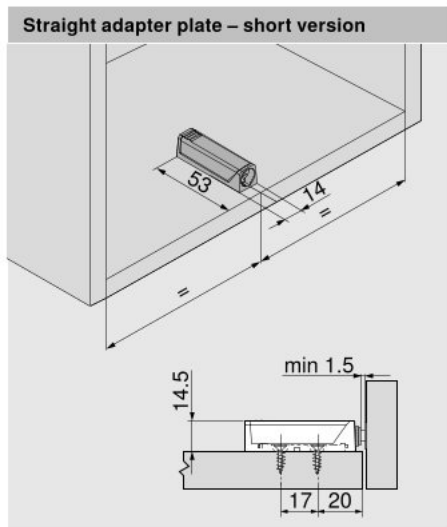
Marking template for AVENTOS HK top
for front fixing

ZML.2200

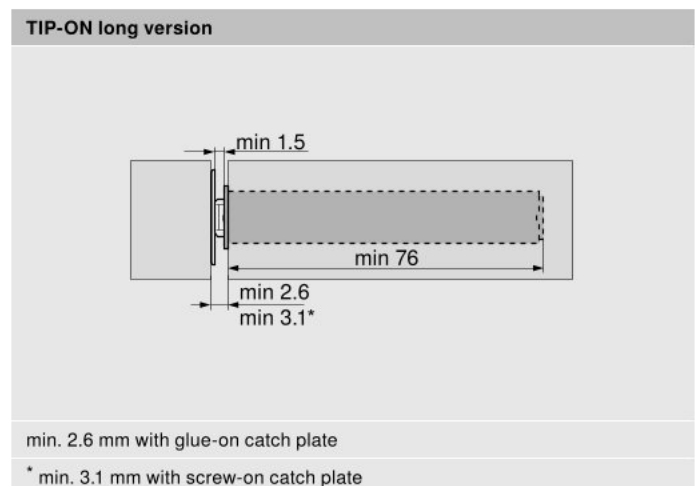
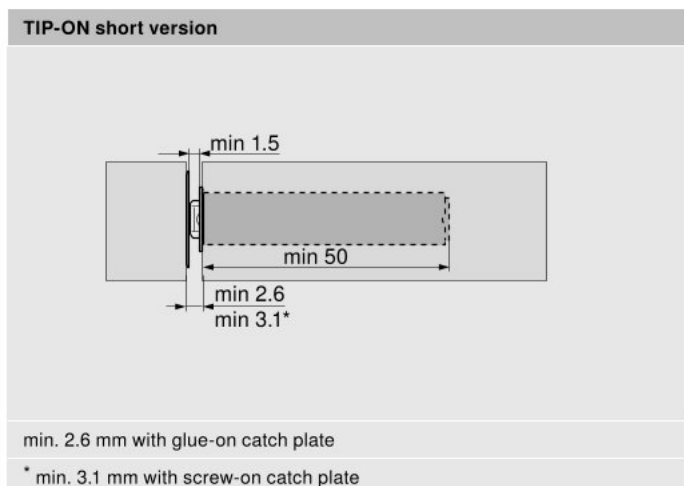
TIP-ON for drilling fixing position



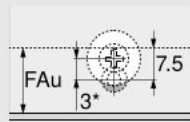
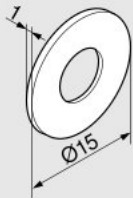
TIP-ON adapter plate fixing position



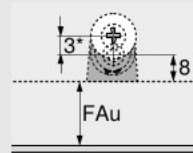
Installation dimensions for front gap



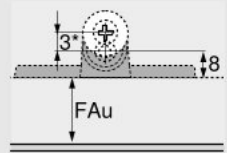
Screw-on catch plate planning



For drilling



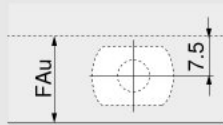
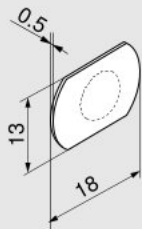
Straight adapter plate



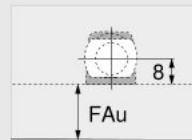
Cruciform adapter plates

* We recommend off-setting the positioning of TIP-ON by 3 mm for the screw-on catch plate.

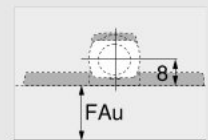
Glue-on catch plate planning



For drilling



Straight adapter plate

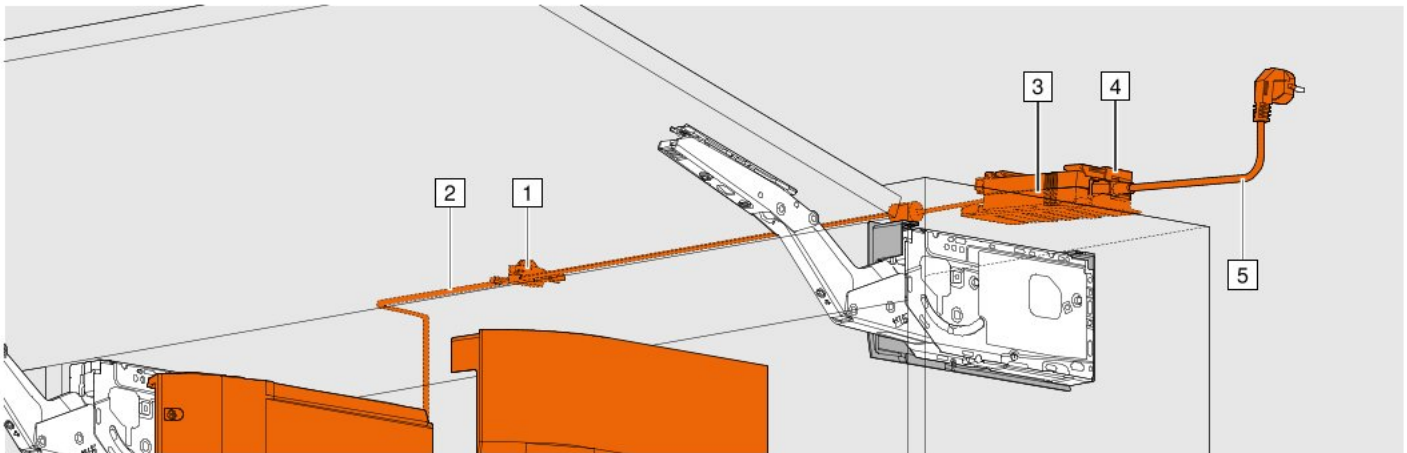


Cruciform adapter plates

AVENTOS HK top



SERVO-DRIVE for AVENTOS HK top Blum transformer and accessories



Order specification

1	Connecting node and cable end protector
	Consisting of: 1 x connecting node 2 x cable end protectors
	Z10V100E.01

2	Distribution cable and cable end protector
	Consisting of: 1 x SERVO-DRIVE black electrical cable for cutting to size 5 x cable end protectors
	8 m
	Z10K800AE
	Can be used as a distribution cable and bracket profile cable

3	24-Watt Blum transformer
	Language descriptions as per ISO-639
	DE, EN, FR, IT, NL
	DA, EN, FI, NO, SV
	EL, EN, HR, SL, SR, TR
	EN, ES, FR, IT, PT
	CS, HU, SK, PL
	BG, ET, LT, LV, RO, RU
	EN, ES, FR, (US, CA)
	EN, ZH
	Without flex
	Including instruction leaflet and installation instructions
	Only 1 Blum transformer permitted per distribution cable!

4	Transformer unit housing
	For panel fixing
	Z10NG120

5	Flex																																				
	<table border="1"> <thead> <tr> <th>Market</th> <th></th> <th>Market</th> <th></th> </tr> </thead> <tbody> <tr> <td>AR</td> <td>Z10M200A</td> <td>AU</td> <td>Z10M200K</td> </tr> <tr> <td>UK</td> <td>Z10M200B</td> <td>CL</td> <td>Z10M200L</td> </tr> <tr> <td>CH</td> <td>Z10M200C</td> <td>CN</td> <td>Z10M200N</td> </tr> <tr> <td>DK</td> <td>Z10M200D</td> <td>TW</td> <td>Z10M200T</td> </tr> <tr> <td>Europe</td> <td>Z10M200E</td> <td>US, CA</td> <td>Z10M200U</td> </tr> <tr> <td>IN</td> <td>Z10M200H</td> <td>ZA</td> <td>Z10M200Z</td> </tr> <tr> <td>IL</td> <td>Z10M200I</td> <td>BR</td> <td>Z10M200S.01</td> </tr> <tr> <td>JP</td> <td>Z10M200J</td> <td>Europe¹</td> <td>Z10M200E.OS</td> </tr> </tbody> </table>	Market		Market		AR	Z10M200A	AU	Z10M200K	UK	Z10M200B	CL	Z10M200L	CH	Z10M200C	CN	Z10M200N	DK	Z10M200D	TW	Z10M200T	Europe	Z10M200E	US, CA	Z10M200U	IN	Z10M200H	ZA	Z10M200Z	IL	Z10M200I	BR	Z10M200S.01	JP	Z10M200J	Europe ¹	Z10M200E.OS
Market		Market																																			
AR	Z10M200A	AU	Z10M200K																																		
UK	Z10M200B	CL	Z10M200L																																		
CH	Z10M200C	CN	Z10M200N																																		
DK	Z10M200D	TW	Z10M200T																																		
Europe	Z10M200E	US, CA	Z10M200U																																		
IN	Z10M200H	ZA	Z10M200Z																																		
IL	Z10M200I	BR	Z10M200S.01																																		
JP	Z10M200J	Europe ¹	Z10M200E.OS																																		
	¹ Without plug																																				

Alternative to 24-Watt Blum transformer and flex

12-Watt Blum plug-in transformer								
Including flex (1120 mm)								
For single applications only								
Network adapter (x)*								
Language packages (y)								
<table border="1"> <tbody> <tr> <td>A DE, EN, FR, IT, NL</td> <td>E CS, HU, SK, PL</td> </tr> <tr> <td>B DA, EN, FI, NO, SV</td> <td>F BG, ET, LT, LV, RO, RU</td> </tr> <tr> <td>C EL, EN, HR, SL, SR, TR</td> <td>G EN, ES, FR, (US, CA)</td> </tr> <tr> <td>D EN, ES, FR, IT, PT</td> <td>H EN, ZH</td> </tr> </tbody> </table>	A DE, EN, FR, IT, NL	E CS, HU, SK, PL	B DA, EN, FI, NO, SV	F BG, ET, LT, LV, RO, RU	C EL, EN, HR, SL, SR, TR	G EN, ES, FR, (US, CA)	D EN, ES, FR, IT, PT	H EN, ZH
A DE, EN, FR, IT, NL	E CS, HU, SK, PL							
B DA, EN, FI, NO, SV	F BG, ET, LT, LV, RO, RU							
C EL, EN, HR, SL, SR, TR	G EN, ES, FR, (US, CA)							
D EN, ES, FR, IT, PT	H EN, ZH							
Z10NA30xyF								

* Not permitted for more than one drive unit!

Cable holder
Using the cable holder, the distribution cable can easily be fixed to the cabinet, for example.
Z10K0009

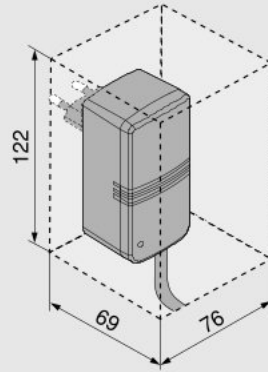
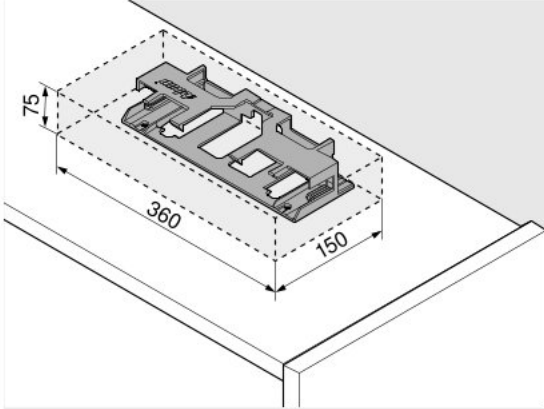
SERVO-DRIVE for AVENTOS HK top Blum transformer and accessories

AVENTOS HK top

blum

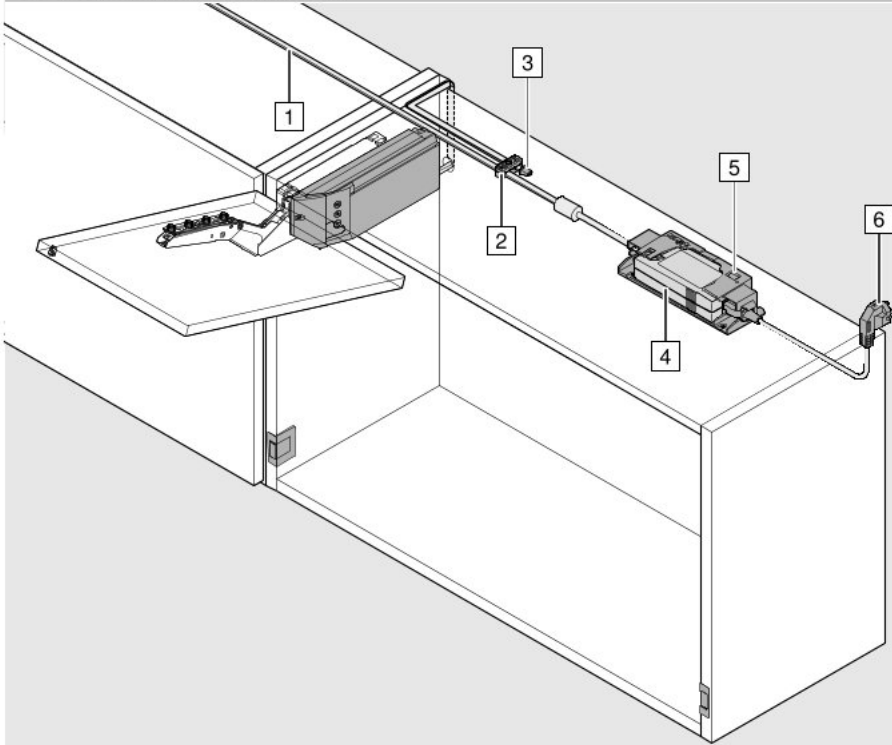
Planning

Space requirement and safety distance, Blum transformer unit housing and Blum plug-in transformer



i A safety distance of 30 mm must be maintained for air circulation (see graphic); otherwise, there is a risk that the Blum transformer or plug-in transformer could overheat.

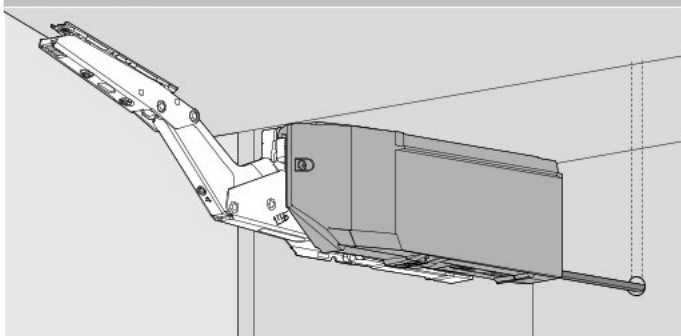
Assembly on the cabinet top panel



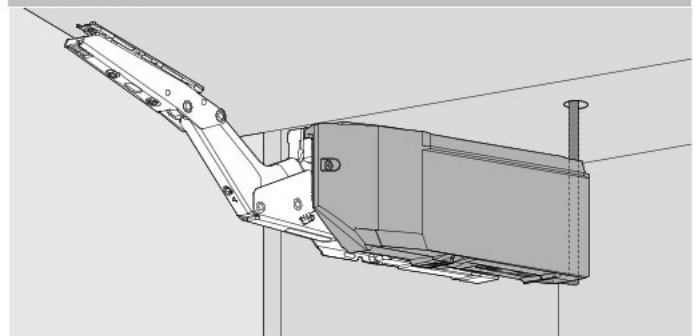
- 1 Distribution cable for cutting to size
- 2 Connecting node
- 3 Cable end protector
- 4 Blum transformer
- 5 Transformer unit housing
- 6 Flex

i Only one Blum transformer can be connected to each distribution cable.

Back cabling



Top cabling



The company Blum

Founded over 60 years ago by Julius Blum, Blum is a family-owned company that operates on an international scale. Its strategic business segments include lift, hinge and pull-out systems. All our product developments focus on perfecting motion.

www.blum.com

The Blum logo consists of a small white arrow pointing upwards and to the right, followed by the word "blum" in a bold, lowercase, sans-serif font.





Blum in Austria and around the world

The company has eight plants in Vorarlberg, Austria, additional production sites in Poland, the USA and Brazil and 31 subsidiaries/representative offices. Blum supplies more than 120 markets. The Blum Group employs 8,000 people in total, 6,000 of whom work in Vorarlberg.



Global customer benefits

“Whether manufacturer, distributor, fitter or kitchen user – everybody should personally enjoy the benefits of Blum products” – that is Blum’s philosophy on global customer benefits.



Innovations

To support customers with innovative fittings solutions and secure long-term success for the company, we need to consistently invest in research and development, in plants and facilities and in employee training. With more than 2,100 granted patents worldwide, Blum is one of Austria’s most innovative companies.



Quality

Blum’s comprehensive concept of quality does not only apply to products. Services and collaboration with customers and partners should also meet the same quality requirements.



Environment

At Blum, we believe that responsible ecological behaviour has long-term economic benefits. The longevity of products is just one of many important aspects. Other important measures include the use of environmentally-friendly processes, the intelligent use of materials and prudent energy management.



DYNAMIC SPACE

Good workflows, optimum use of storage space and top quality motion are important features of a practical kitchen. Blum’s ideas for practical kitchens are designed to bring function, convenience and ergonomics to furniture interiors.

