



## Swift Corner Storage Solution

Corner storage solutions maximise the utilisation of unused corner spaces, turning them into efficient, functional zones. With smooth pull-outs and clever designs, they offer easy access to your storage space.

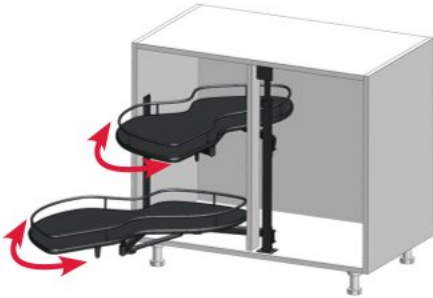
Swift Corner is Häfele's state-of-the-art corner storage solution, where intelligent design meets everyday convenience. Designed to make the most of those hard-to-reach areas, Swift Corner transforms idle corners into smart, accessible storage spaces without compromising on style.

The independently rotating baskets ensure that every pot, pan, or jar is always within reach, thus allowing easy access without the need for blindly rummaging. What truly sets Swift Corner apart is its installation flexibility. This storage solution can be seamlessly installed on both left and right opening corner units, enabling versatile applications. You can also pair it with a traditional wooden cabinet door or elevate the look with a glass door with or without aluminium profiles, giving your kitchen a sophisticated edge.

With its premium anthracite and chrome finishes, and sleek, contemporary aesthetics, this storage solution effortlessly complements your modern kitchen interiors.

**Note:** Images are for representation purpose only. Actual product may vary.

**I FEATURES - SWIFT CORNER 450**



**EASY ACCESS**

Swift Corner Storage Solution enables seamless ease of accessing your storage space by offering an innovative mechanism wherein the shelves can be moved out and rotated independently of each other.



**SEAMLESS STORAGE**

The baskets can easily handle loads of up to 25 kg each. Additionally, their generous size makes them an ideal solution for heavier loads like glass and ceramic utensils.



**ELEVATED AESTHETICS**

The stylish design of the solid base baskets along with the premium anthracite and chrome finishes deliver superior aesthetics for your kitchen.



Left Opening Corner Unit



Right Opening Corner Unit

**FLEXIBLE INSTALLATION**

This storage solution allows installation on both left and right opening cabinet doors of corner spaces, only by changing a few components, thus offering seamless installation flexibility.

**I PRODUCT SPECIFICATIONS - SWIFT CORNER 450**



**Finishes:** Anthracite and Chrome

**Basket Type:** Solid Base Basket

**Weight Carrying Capacity:** 25 kg per basket

**Corner Unit Internal Opening Width:** 411 to 420 mm

**Corner Unit Internal Opening Height:** 650 to 750 mm

**Cabinet Internal Depth:** 495 mm

**Minimum Cabinet Internal Length:** 850 mm

**Installation:** Suitable for both left and right door opening corner units

**Cabinet Door Material\*:** Wood and glass doors or doors with aluminium profiles

**\*Note:** Since the cabinet door does not get attached to the corner unit mechanism, the door material can be selected as per the user requirements. Also, push-to-open and soft close functionality can be added to the cabinet door using push-to-open trigger and soft close hinges. We recommend using Häfele's Push-to-Open triggers and Metalla Soft-Close Hinges for best results.

\*Terms & Conditions Apply

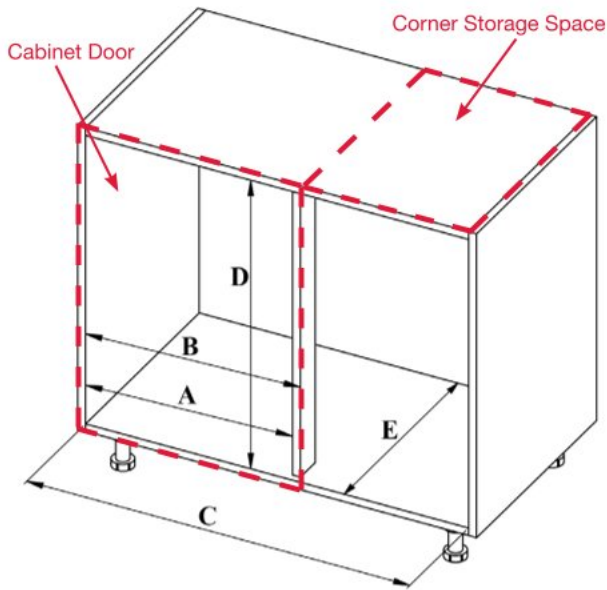
**Note:** Images are for representation purpose only. Actual product may vary.



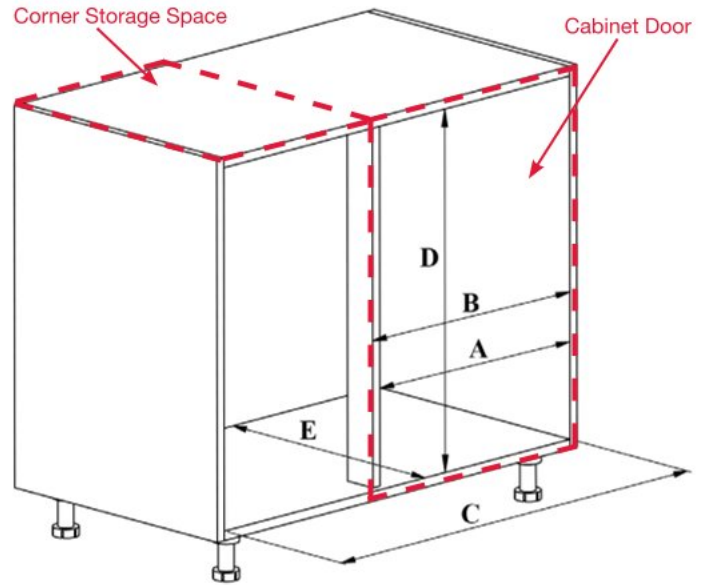
Note: Images are for representation purpose only. Actual product may vary.

## I TECHNICAL DETAILS - SWIFT CORNER 450

### Cabinet Dimensions



Left Opening Corner Unit



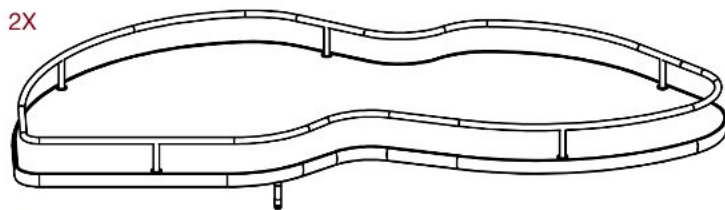
Right Opening Corner Unit

A	B	C	D	E
411 - 420 mm	Max. 455 mm	Min. 850 mm	650 - 750 mm	495 mm

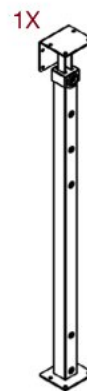
**Cabinet Door Width = B + Cabinet Panel Thickness**

**Cabinet Door Height = D + Cabinet Base Panel Thickness + Cabinet Top Panel Thickness**

### List of Components



**A** Solid Base Basket for Left Opening Corner Unit



**B** 320 mm C/C Vertical Arm

## I TECHNICAL DETAILS - SWIFT CORNER 450

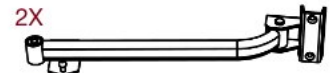
### List of Components



**C** 320 mm C/C Horizontal Arm for Left Opening Corner Unit



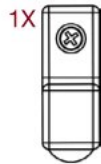
**D** 340 mm C/C Vertical Arm



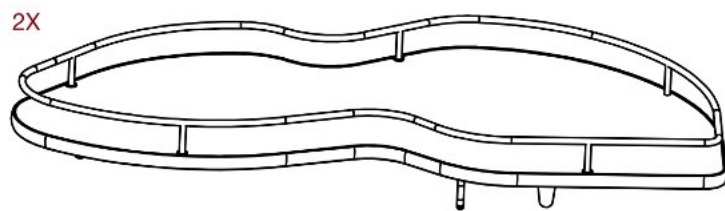
**E** 340 mm C/C Horizontal Arm for Left Opening Corner Unit



**F** Gas Spring



**G** Opening Angle Adjustment Screw



**H** Solid Base Basket for Left Opening Corner Unit



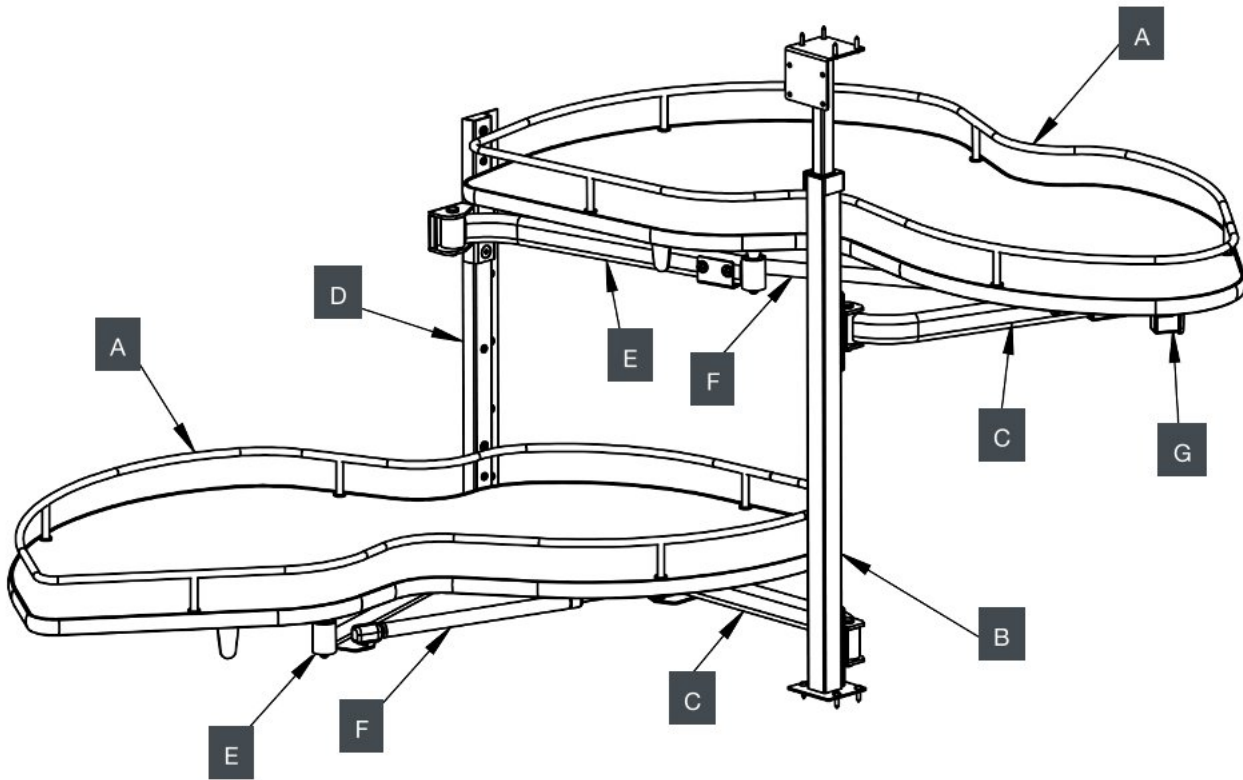
**I** 320 mm C/C Horizontal Arm for Right Opening Corner Unit



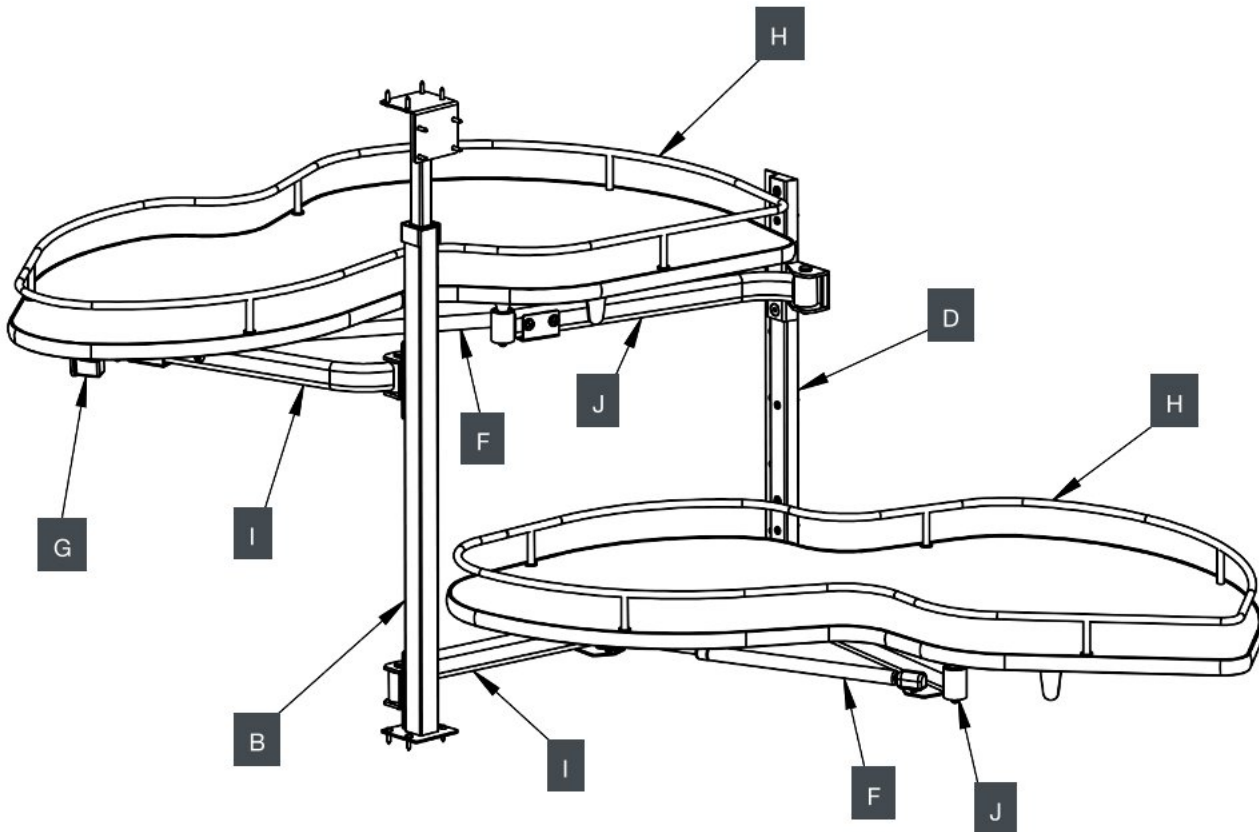
**J** 340 mm C/C Horizontal Arm for Right Opening Corner Unit

## I TECHNICAL DETAILS - SWIFT CORNER 450

### Components required for installing left opening corner unit with 2 baskets

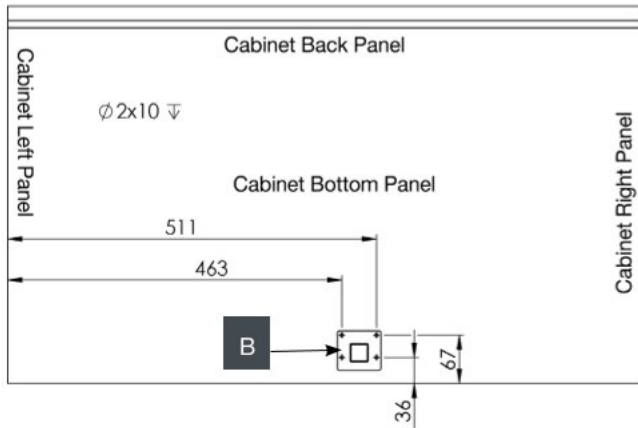


### Components required for installing right opening corner unit with 2 baskets

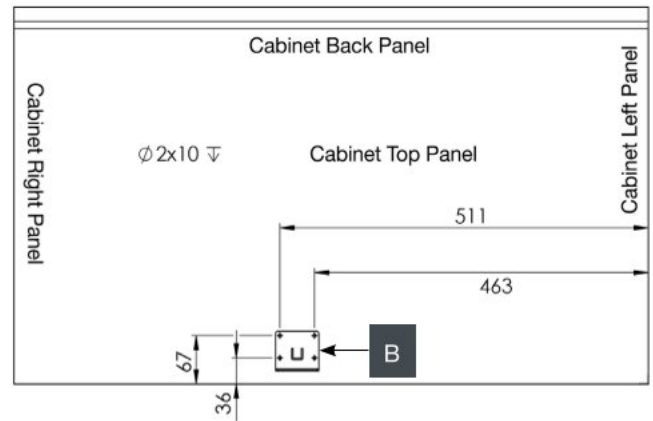


## I TECHNICAL DETAILS - SWIFT CORNER 450

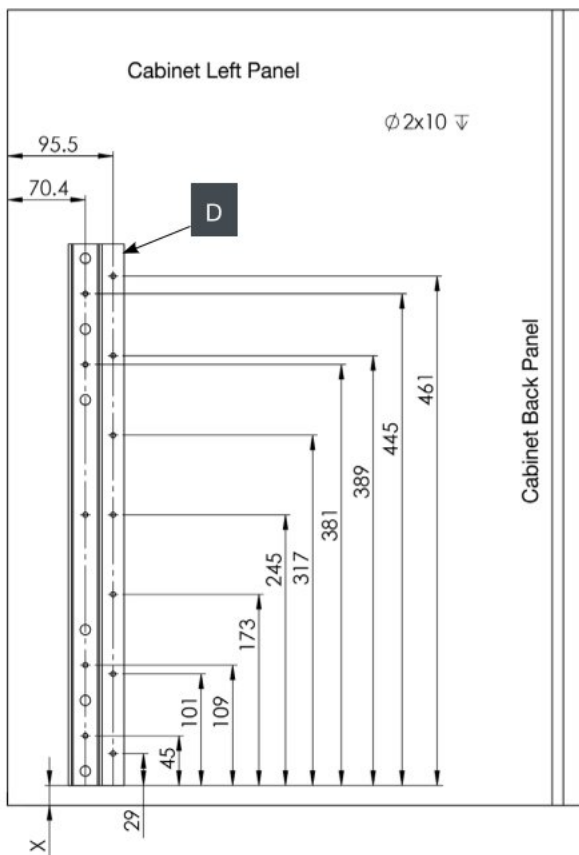
### Drilling Details for Left Opening Corner Unit





Drilling Details for Cabinet Bottom Panel



Drilling Details for Cabinet Top Panel

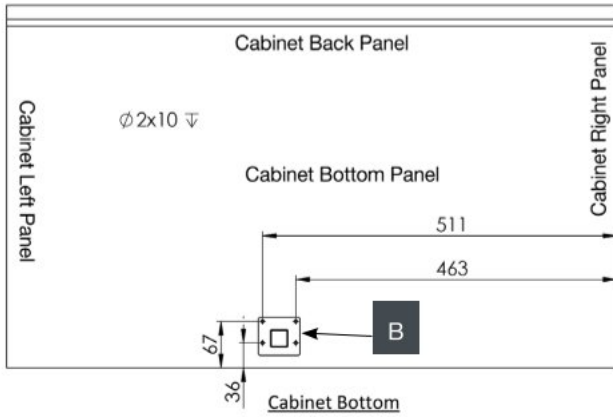


Drilling Details for Cabinet Left Panel

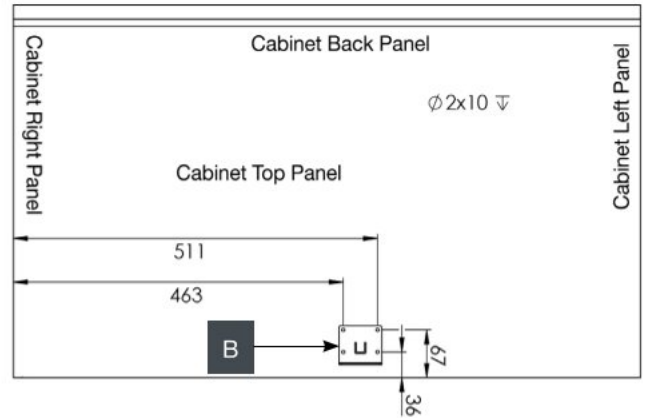
	X
	16
	18

# TECHNICAL DETAILS - SWIFT CORNER 450

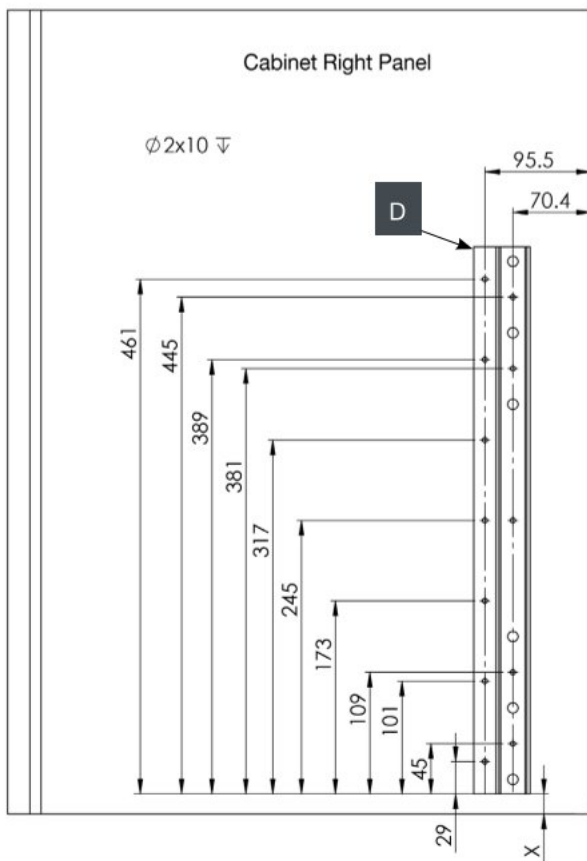
## Drilling Details for Right Opening Corner Unit



Drilling Details for Cabinet Bottom Panel



Drilling Details for Cabinet Top Panel



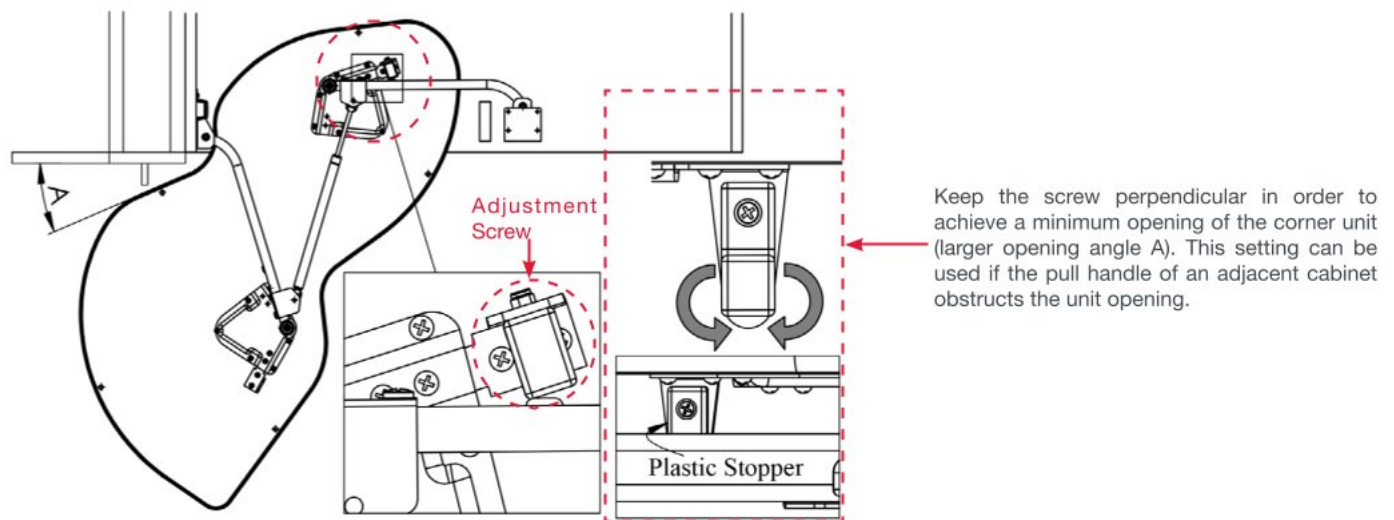
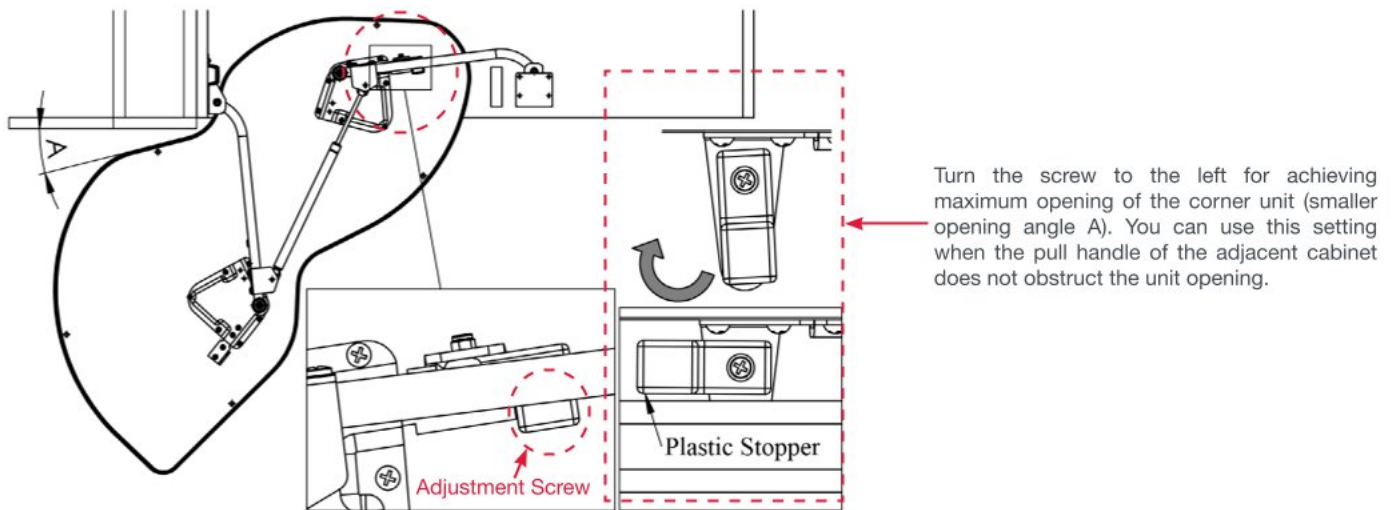
Drilling Details for Cabinet Left Panel

	X
	16
	18

## TECHNICAL DETAILS - SWIFT CORNER 450

### Using the Opening Angle Adjustment Screw

The opening angle adjustment screw increases or decreases the opening angle to the Swift Corner unit storage basket. This is particularly useful when an adjacent drawer/pullout has a pull handle installed which may interfere with the storage basket upon opening.



## ORDERING INFORMATION

Article Number	Description	MRP
549.45.310	Swift Corner Storage Solution, Right Mounting, Anthracite, 450 mm	₹ 43,475/-
549.45.240	Swift Corner Storage Solution, Right Mounting, Chrome, 450 mm	₹ 43,475/-
549.45.311	Swift Corner Storage Solution, Left Mounting, Anthracite, 450 mm	₹ 43,475/-
549.45.241	Swift Corner Storage Solution, Left Mounting, Chrome, 450 mm	₹ 43,475/-



## Universal Corner Storage Solution

Corner storage solutions transform overlooked spaces into smart, accessible zones, keeping your kitchen organised and clutter-free. Designed for ease and efficiency, they make every corner count with smooth and effortless access.

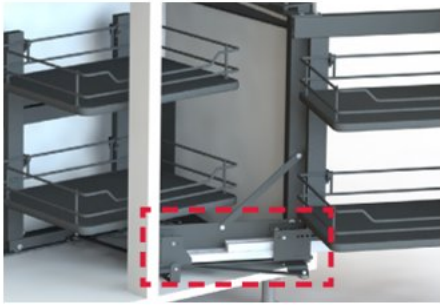
Häfele's Universal Corner Storage Solution is a thoughtful blend of practicality and elegant engineering. Designed to fit into modern kitchens, this solution turns underutilised corner spaces into highly functional storage zones, ensuring that every utensil or ingredient has its place.

Whether your cabinet door opens from the left or the right, this system offers seamless installation without the need of changing any component, offering a smooth fit with either configurations. Built exclusively for use with wooden cabinet doors, this solution integrates into traditional and contemporary kitchen aesthetics. At its core are innovative full extension runners, delivering a premium glide experience with robust performance, allowing you to pull out the entire unit easily and access even the deepest corners. These synchronised runners deliver high operation stability, whereas the integrated soft-close technology enables impact-free operations.

This corner unit features solid base baskets in premium anthracite and chrome finishes which offer a sleek, seamless look, elevating your kitchen's aesthetics.

**Note:** Images are for representation purpose only. Actual product may vary.

## I FEATURES - UNIVERSAL CORNER 450



### ROBUST PERFORMANCE

This corner storage solution features synchronised full extension runners which offer utmost stability in day-to-day use, and soft-close technology which delivers impact-free operations.



### SEAMLESS STORAGE

The baskets can easily handle a combined load of up to 35 kg - 5 kg for each of the door baskets and 12.5 kg for each of the rear baskets. Enhancing the storage capacity is the smart design of the mechanism which can accommodate 4 baskets. This make it ideal for moderate loads like consumables.



### ELEVATED AESTHETICS

The premium anthracite and chrome finishes along with sleek solid base baskets, complement your premium kitchen aesthetics.



Left Opening Corner Unit



Right Opening Corner Unit

### FLEXIBLE INSTALLATION

Thanks to the universal mechanism, this system can be fixed to either right opening or left opening corner unit without changing any components, thus offering unmatched installation flexibility.

## I PRODUCT SPECIFICATIONS - UNIVERSAL CORNER 450

**15 YEARS**  
Warranty\*

**Finishes:** Anthracite and Chrome

**Basket Type:** Solid Base Baskets

**Weight Carrying Capacity:** 5 kg each for door mounted baskets and 12.5 kg each for rear baskets

**Corner Unit Internal Opening Width:** 411 to 420 mm

**Corner Unit Internal Opening Height:** 590 mm

**Cabinet Internal Depth:** 480 mm

**Cabinet Internal Length:** 864 mm

**Installation:** Suitable for both Left Opening and Right Opening Corner Units

**Cabinet Door Material:** Wooden Doors

**Operating Technology\*:** Soft-Close

\*Note: The runners included in the kit come with integrated soft-close technology. To achieve push-to-open functionality, push-to-open trigger needs to be purchased separately. We recommend using Häfele's Push-to-Open triggers for best results.

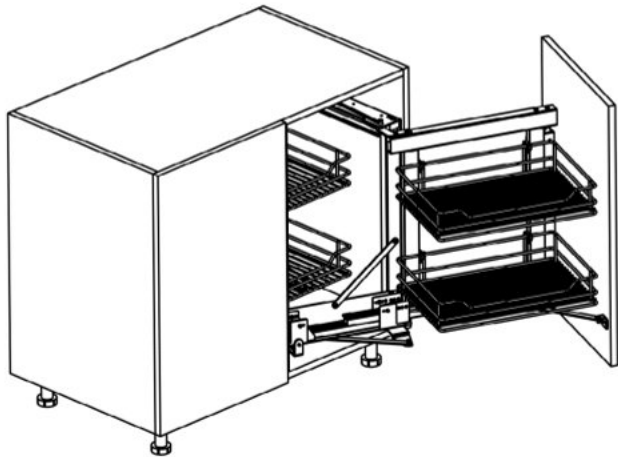
\*Terms & Conditions Apply

Note: Images are for representation purpose only. Actual product may vary.

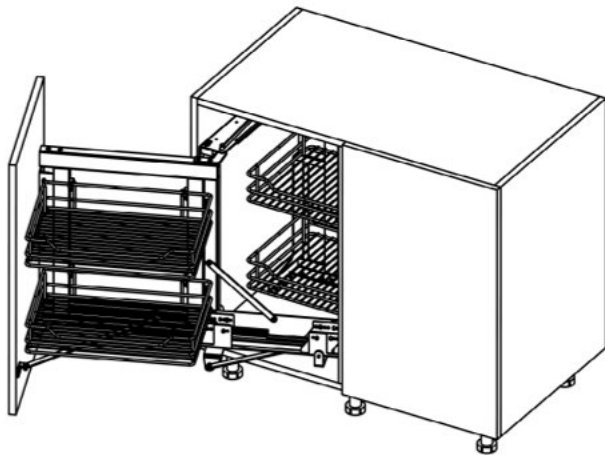
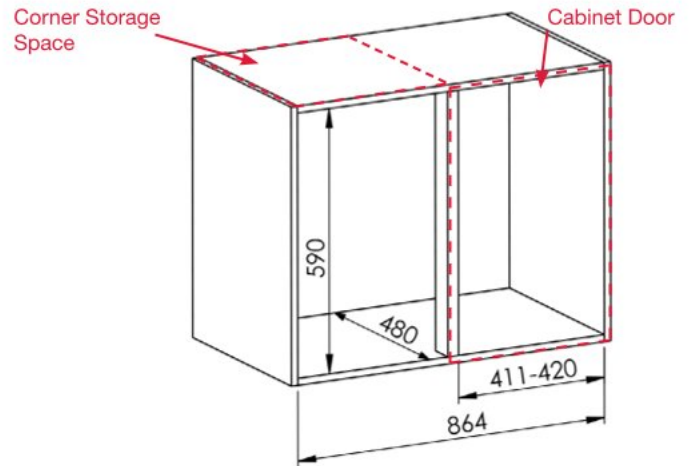


## TECHNICAL DETAILS - UNIVERSAL CORNER 450

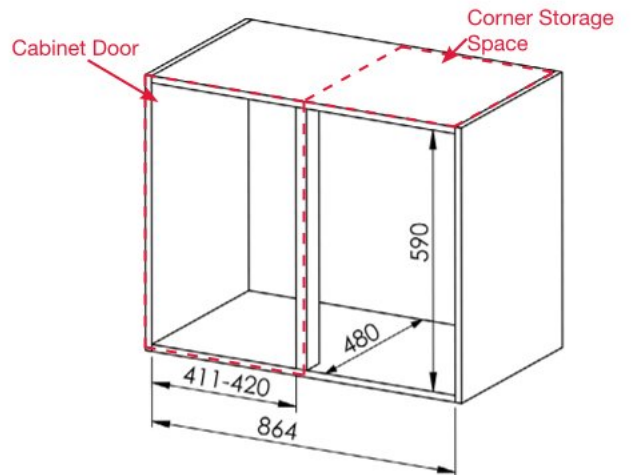
### Cabinet Dimensions



Right Opening Corner Unit

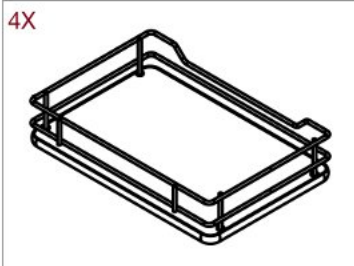


Left Opening Corner Unit

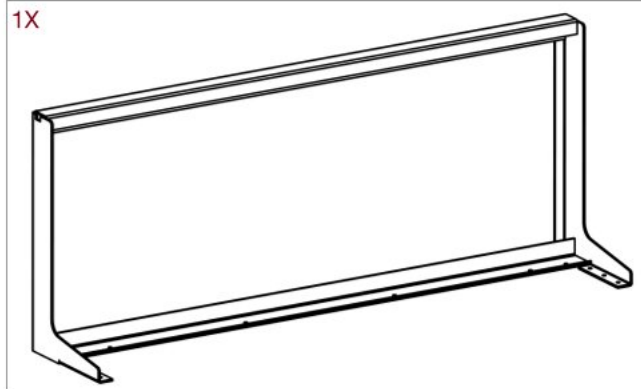


**Cabinet Door Width = Internal Opening Width (411 to 420 mm) + Cabinet Panel Thickness**  
**Cabinet Door Height = 590 + Cabinet Base Panel Thickness + Cabinet Top Panel Thickness**

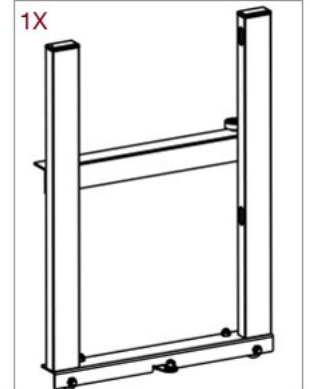
### List of Components



UC1 Basket with solid base



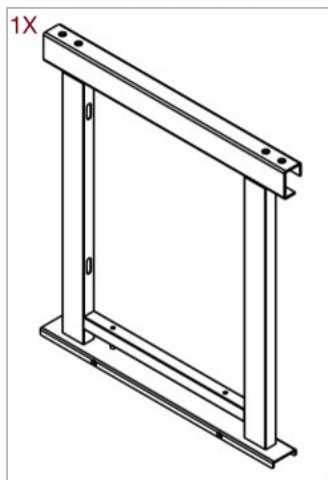
UC2 Back panel



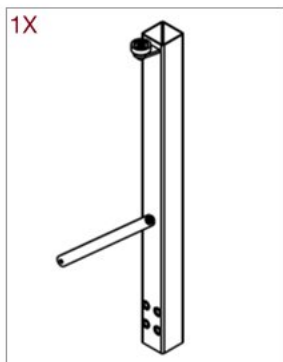
UC3 Rear basket hanger

## I TECHNICAL DETAILS - UNIVERSAL CORNER 450

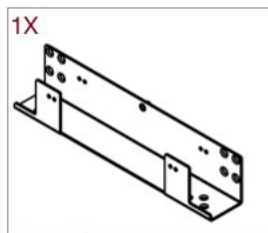
### List of Components



**UC4** Door basket hanger



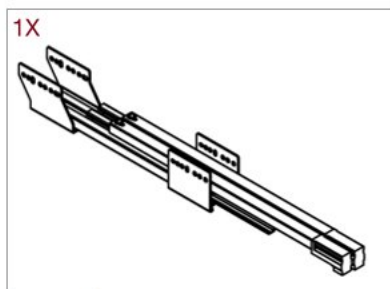
**UC5** Vertical bar for mounting runner assembly UC8



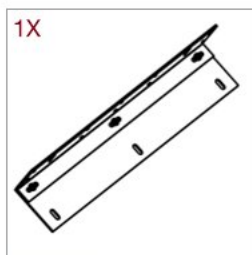
**UC6** Runner mounting bracket



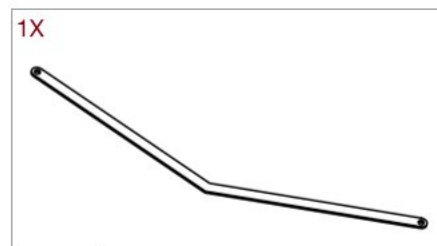
**UC7** Top guide



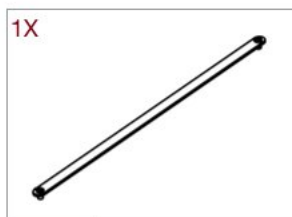
**UC8** Full extension runner assembly



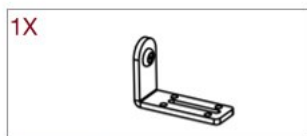
**UC9** Door bracket



**UC10** Connecting bar for synchronised movement of door and rear basket hangers



**UC11** Connecting bar for door bracket to basket connection



**UC12** Bracket mounted on the base panel for connecting UC8 to UC3



**UC13** Roller bracket



**UC14** Bracket mounted on UC8 for connecting UC8 to UC3












**UC15** Bottom guide













**UC16** Bracket for door to basket connection

## I TECHNICAL DETAILS - UNIVERSAL CORNER 450

### List of Components

1X	1X	4X	4X	2X	2X	1X	1X	2X
								
Travel guide pin	Roller guide	Basket hanger left	Basket hanger right	End cap for UC5	Mounting block for door basket hanger	4 mm allen key	2.5 mm allen key	Plastic washer

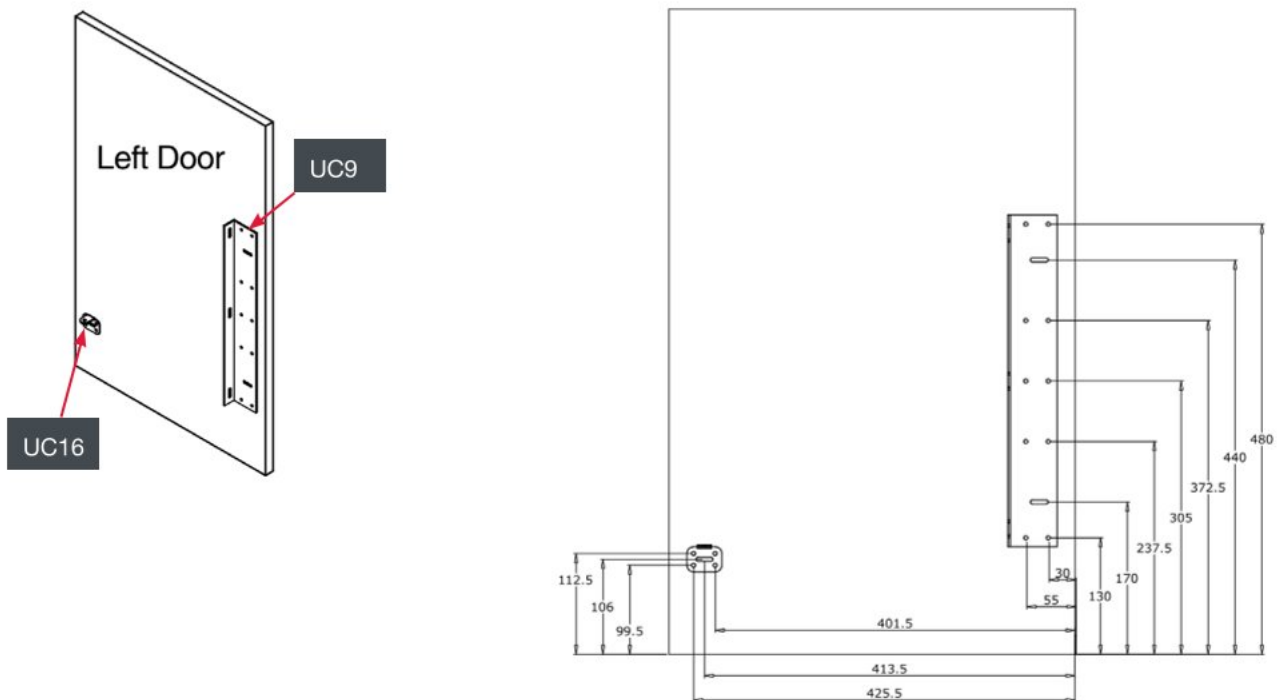
UC17

43X	2X	5X	7X	1X	4X	4X	2X	4X	1X
									
M4x15 pan head screw	M4x20 flat head screw	M5x12 flat head screw	M5x12 pan washer head bolt	M5x30 pan head bolt	M4x12 hex. socket bolt	M6x15 hex. socket bolt	M4x8 flat head bolt	M4 Lock Nut	M5 Lock Nut

UC18

### Drilling Details | Left Opening Corner Unit

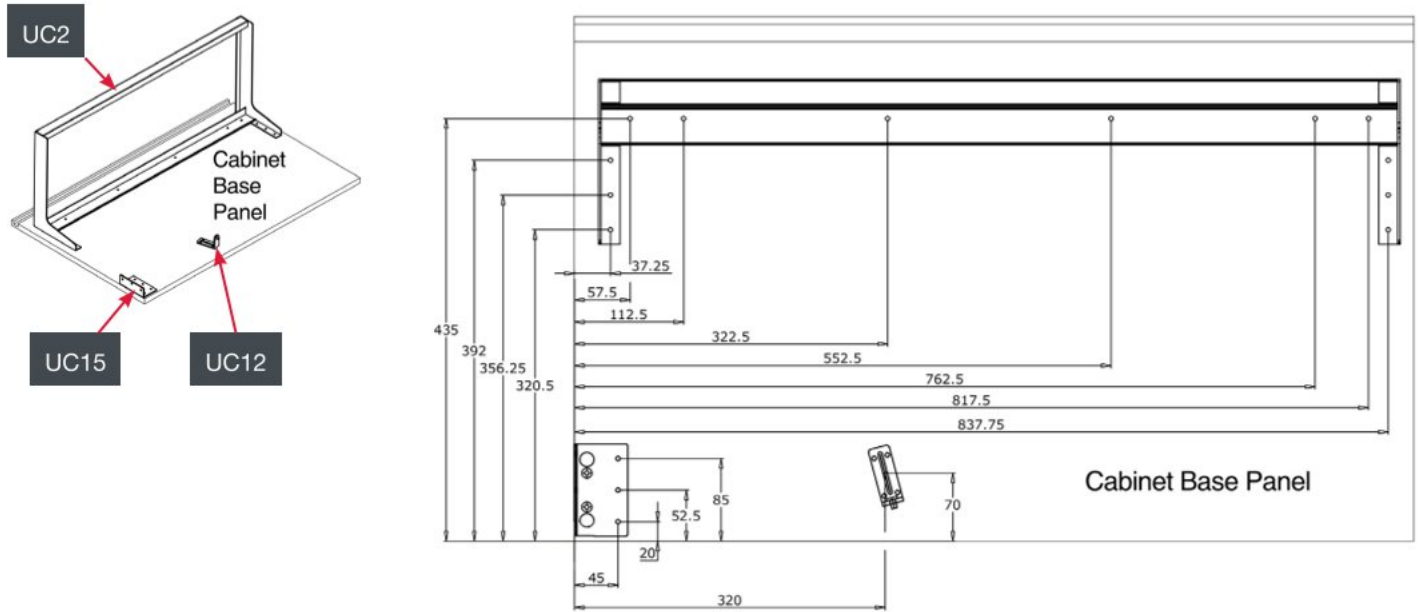
#### Door Bracket Mounting



## I TECHNICAL DETAILS - UNIVERSAL CORNER 450

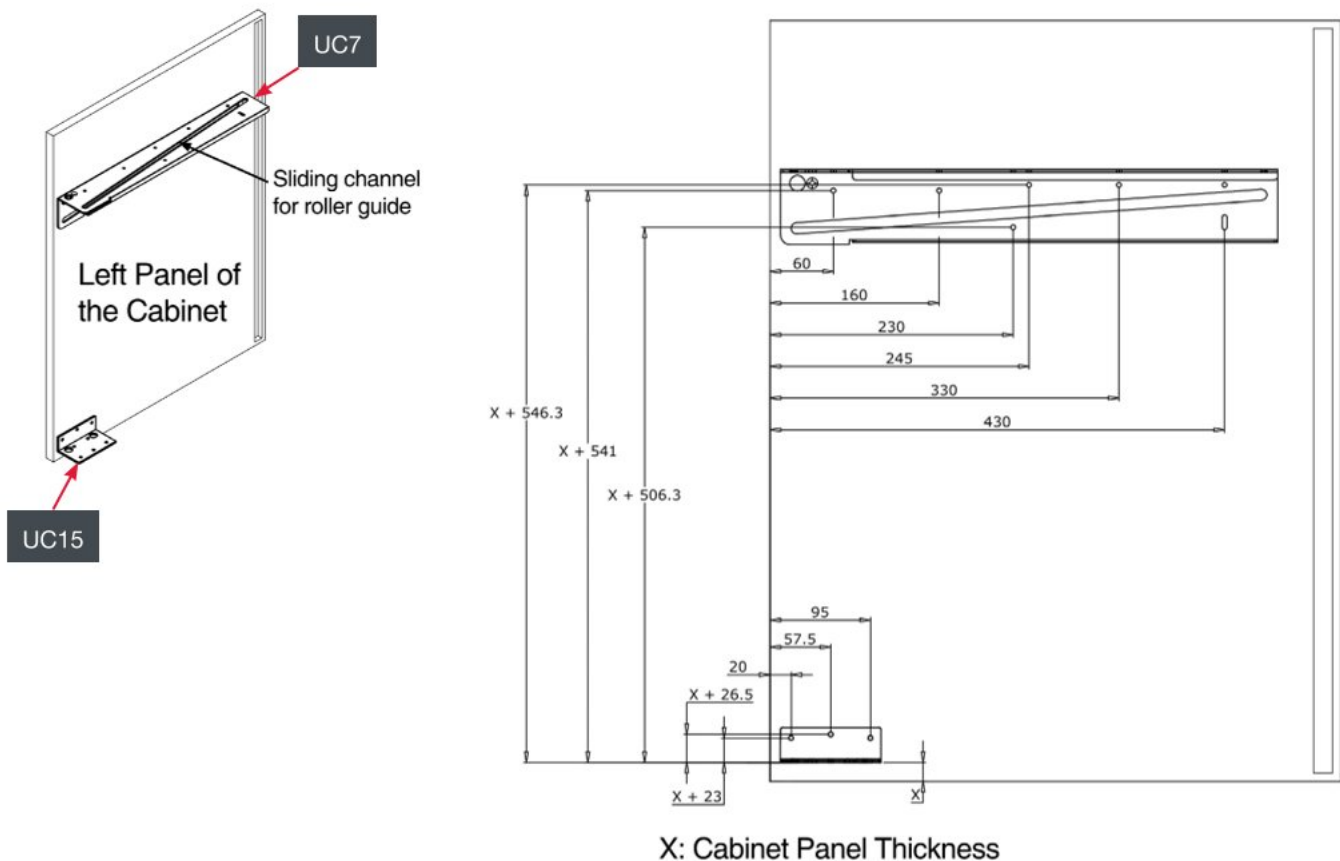
### Drilling Details | Left Opening Corner Unit

#### Back Panel Mounting



**Note:** The component UC12 has to be fixed using screws only after the door adjustment is done, in order to get the correct angle of mounting.

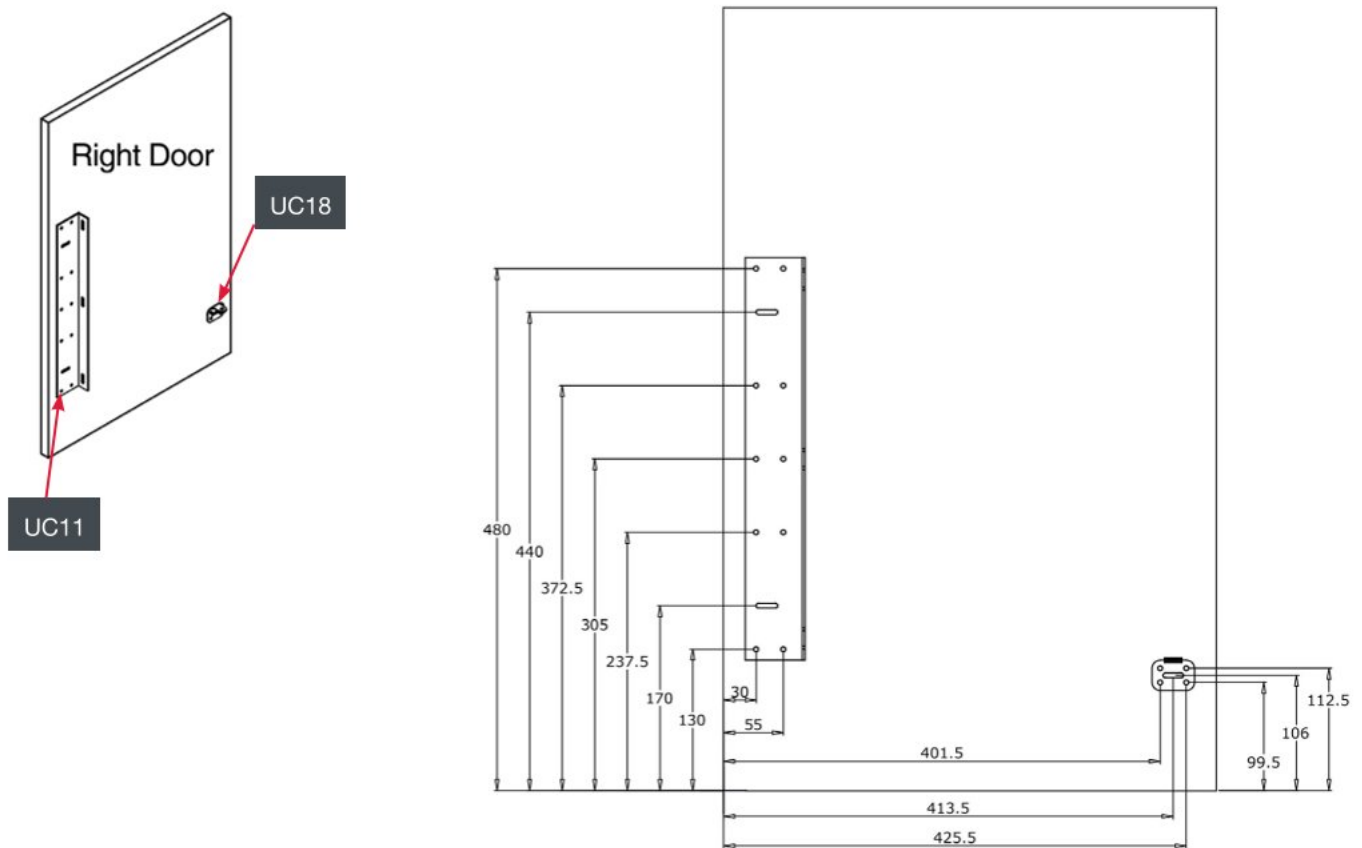
#### Top and Bottom Guide Mounting



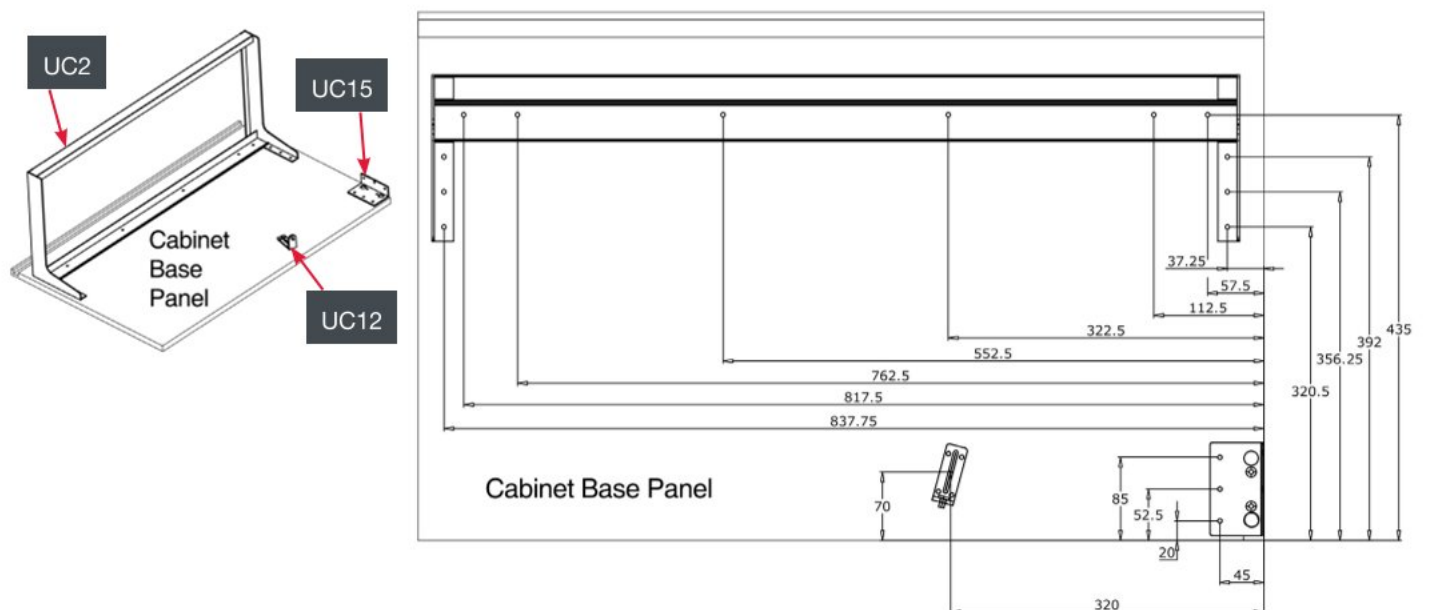
## I TECHNICAL DETAILS - UNIVERSAL CORNER 450

### Drilling Details | Right Opening Corner Unit

#### Door Bracket Mounting



#### Back Panel Mounting

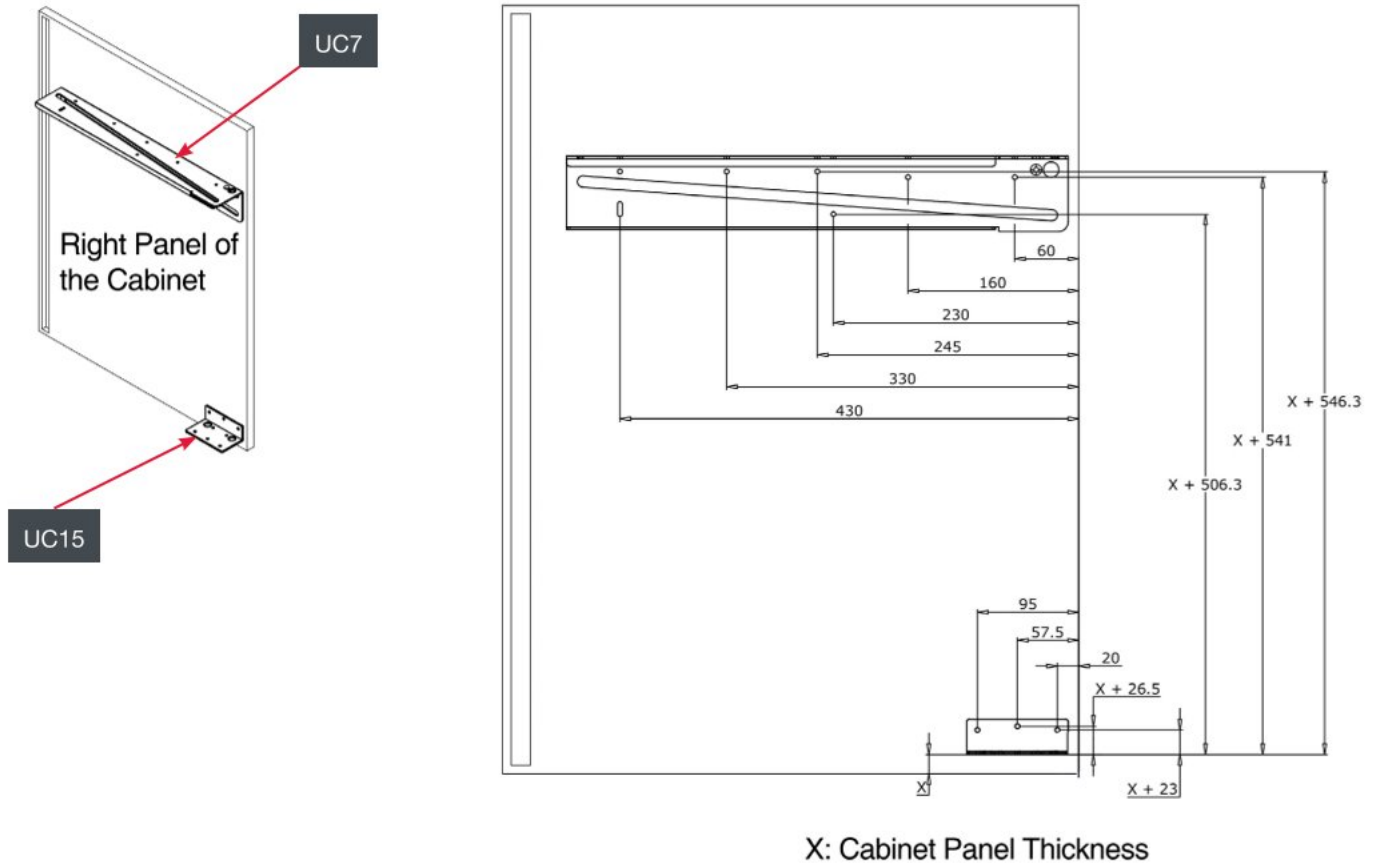


**Note:** The component UC12 has to be fixed using screws only after the door adjustment is done in order to get the correct angle of mounting.

## I TECHNICAL DETAILS - UNIVERSAL CORNER 450

### Drilling Details | Right Opening Corner Unit

Top and Bottom Guide Mounting



## I ORDERING INFORMATION

Article Number	Description	MRP
546.14.322	Universal Corner Storage Solution, Anthracite, 450 mm	₹ 46,305/-
589.45.289	Universal Corner Storage Solution, Chrome, 450 mm	₹ 46,305/-